



## DESCRIPTION

Inspired from tree branches, the Branch collection looks fluid and organic. Behind the airy, casual appearance lies a sophisticated design and well thought-out materials. The aluminium cast frame is combined with a seat and backrest in polypropylene, reinforced with glassfiber. Both materials are easy to maintain, recycable and optimally weather-resistant.

## MATERIALS

- Frame: high pressure injected aluminium with a double powder coating (epoxy primer + polyester)
- Seat & back: polypropylene reinforced with glassfiber, UV-resistant
- Table tops dining tables: aluminium, Indonesian plantation teak or granite
- Table tops low tables: Indonesian plantation teak, lightened concrete or granite
- Seat beach chair & lounge: Batyline available in white, silkgrey and wengé. For the beach chair also a selection of fabrics (cfr page 5).

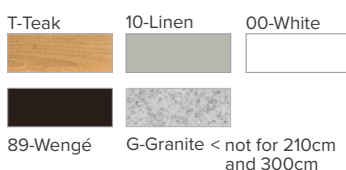
## CUSHIONS

Filling in dryfoam which has an open cell structure, so air can circulate freely. Water passes through the filling, but dries quickly thanks to the large open pores, substantially inhibiting fungal growth. Fabrics available in category D, E & F.

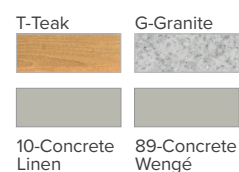
## COLOURS FRAME



## COLOURS DINING TABLE TOP



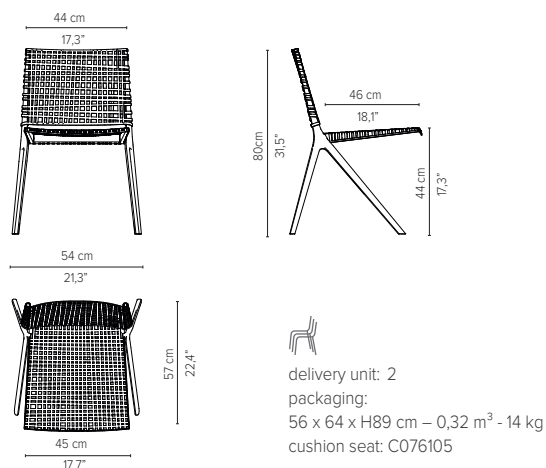
## COLOURS LOW TABLE TOP



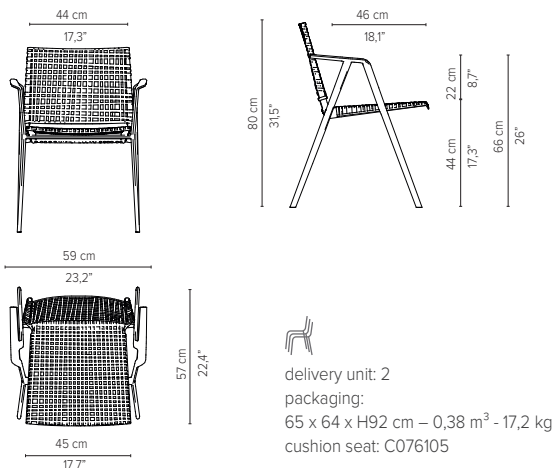
# BRANCH

## TECHNICAL DRAWINGS

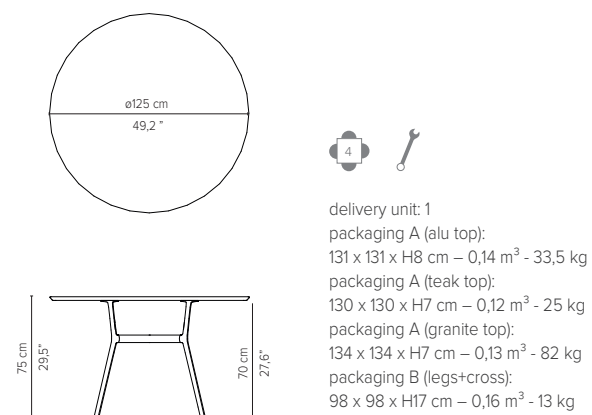
07610 - Side chair



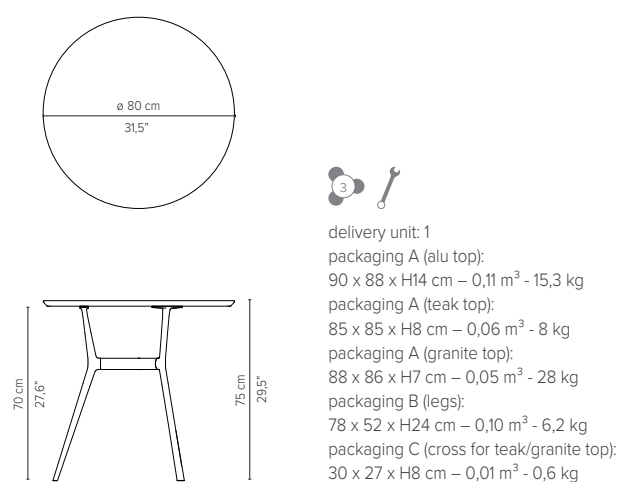
07618 - Armchair



07662-x-y Bistro table round dia 125 cm



07660-x-y - Bistro table round dia 80 cm

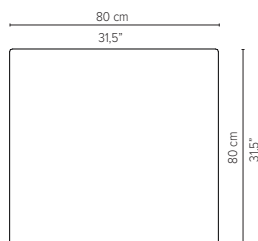
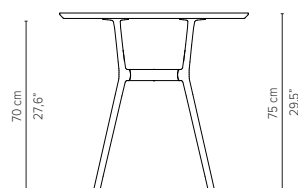


\* Appearances, measurements and weights may slightly differ from reality.  
 x refers to frame, y refers to table top.

# BRANCH

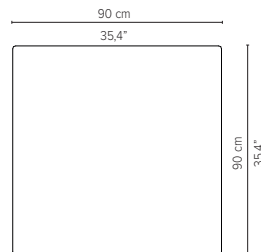
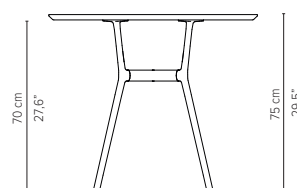
## TECHNICAL DRAWINGS

07671-x-y Bistro table square 80 x 80 cm



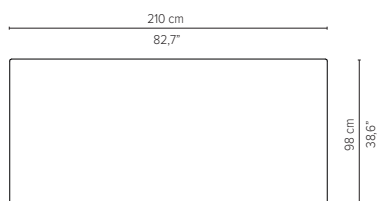
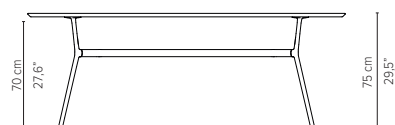
delivery unit: 1  
 packaging A (alu top):  
 88 x 88 x H15 cm – 0,12 m<sup>3</sup> - 17,9 kg  
 packaging A (teak top):  
 85 x 85 x H8 cm – 0,06 m<sup>3</sup> - 9 kg  
 packaging A (granite top):  
 87 x 87 x H7 cm – 0,05 m<sup>3</sup> - 34 kg  
 packaging B (legs) :  
 78 x 52 x H24 cm – 0,10 m<sup>3</sup> - 7,6 kg  
 packaging C (cross for teak/granite top):  
 17 x 19 x H6 cm – 0,002 m<sup>3</sup> - 0,3 kg

07670-x-y Bistro table square 90 x 90 cm



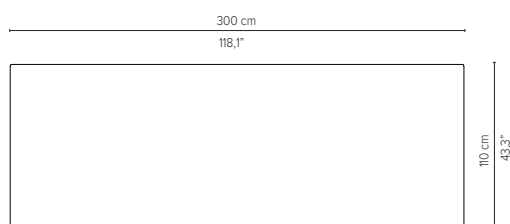
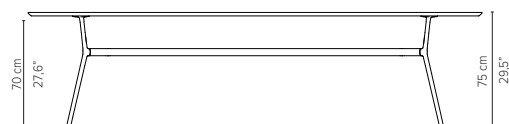
delivery unit: 1  
 packaging A (alu top):  
 98 x 100 x H14 cm – 0,14 m<sup>3</sup> - 21,9 kg  
 packaging A (teak top):  
 95 x 95 x H8 cm – 0,07 m<sup>3</sup> - 12 kg  
 packaging A (granite top):  
 98 x 98 x H6 cm – 0,06 m<sup>3</sup> - 45 kg  
 packaging B (legs) :  
 78 x 52 x H24 cm – 0,10 m<sup>3</sup> - 7,6 kg  
 packaging C (cross for teak/granite top):  
 25 x 25 x H8 cm – 0,005 m<sup>3</sup> - 0,6 kg

07652-x-y Dining table 210 x 98 cm



delivery unit : 1  
 packaging A (alu top):  
 219 x 107 x H15 cm – 0,35 m<sup>3</sup> - 49,2 kg  
 packaging A (teak top):  
 215 x 105 x H10 cm – 0,23 m<sup>3</sup> - 43,5 kg  
 packaging B (legs):  
 78 x 52 x H24 cm – 0,10 m<sup>3</sup> - 7,6k g  
 packaging C (cross for teak top):  
 142 x 31 x H7 cm – 0,03 m<sup>3</sup> - 2,25 kg

07654-x-y Dining table 300 x 110 cm



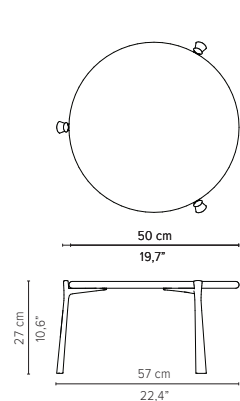
delivery unit: 1  
 packaging A (alu top):  
 313 x 124 x H19 cm – 0,74 m<sup>3</sup> - 111,6 kg  
 packaging A (teak top):  
 305 x 115 x H10 cm – 0,35 m<sup>3</sup> - 74 kg  
 packaging B (legs):  
 78 x 52 x H24 cm – 0,10 m<sup>3</sup> - 7,6 kg  
 packaging C (cross for teak top):  
 222 x 32,5 x H7 cm – 0,05 m<sup>3</sup> - 7 kg

\* Appearances, measurements and weights may slightly differ from reality.  
 x refers to frame, y refers to table top.

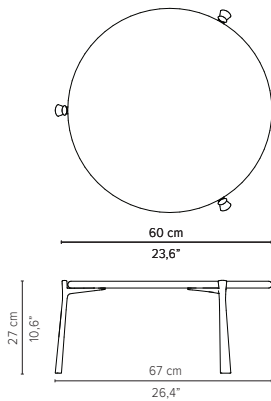
# BRANCH

TECHNICAL DRAWINGS — logistic info available upon request

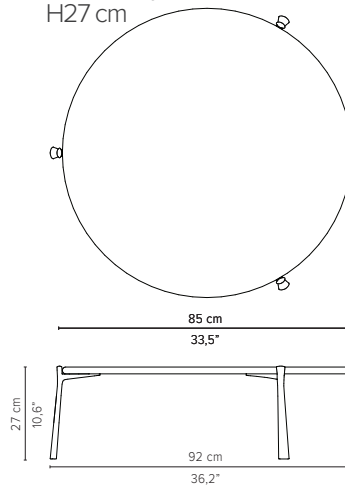
07680-x-y - Low table  
H27 cm



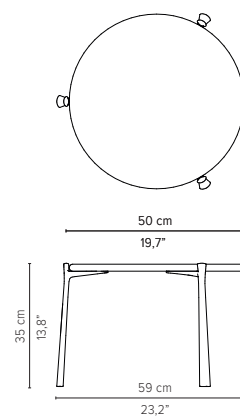
07682-x-y - Low table  
H27 cm



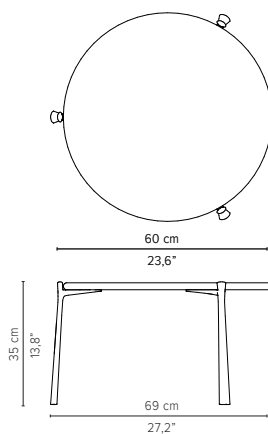
07686-x-y - Low table  
H27 cm



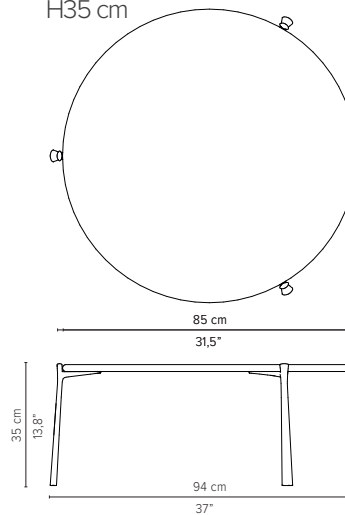
07690-x-y - Low table  
H35 cm



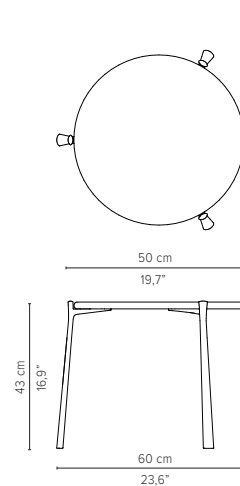
07691-x-y - Low table  
H35 cm



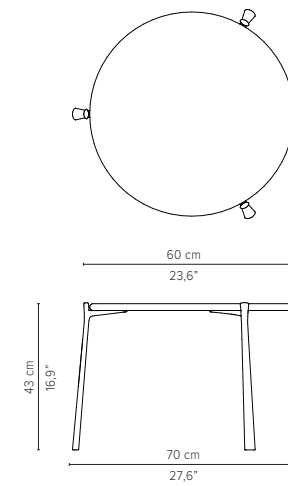
07693-x-y - Low table  
H35 cm



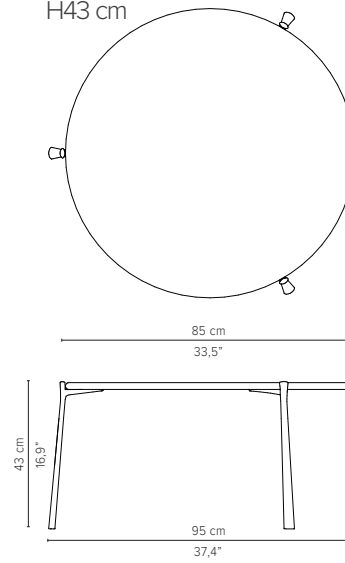
07681-x-y - Low table  
H43 cm



07683-x-y - Low table  
H43 cm



07687-x-y - Low table  
H43 cm

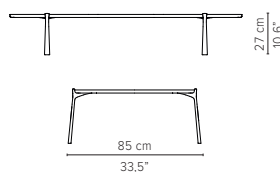
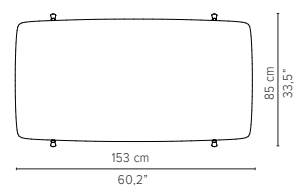


\* Appearances, measurements and weights may slightly differ from reality.  
x refers to frame, y refers to table top.

# BRANCH

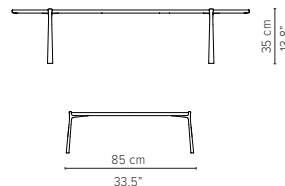
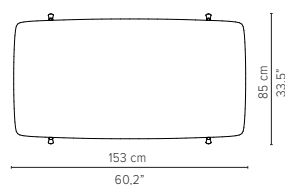
## TECHNICAL DRAWINGS

07688-x-y Low table 153 x 85 cm H27 cm



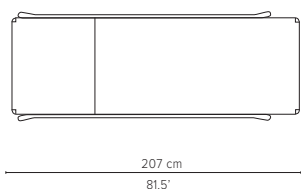
delivery unit: 1  
 packaging A (concrete top):  
 169 x 94 x H15 cm – 0,25 m<sup>3</sup> - 63 kg  
 packaging A (teak top):  
 157 x 82 x H5 cm – 0,06 m<sup>3</sup> - 17,5 kg  
 packaging A (granite top):  
 161 x 88 x H8 cm – 0,11 m<sup>3</sup> - 75 kg  
 packaging B (legs):  
 31 x 35 x H19 cm – 0,02 m<sup>3</sup> - 2 kg

07689-x-y Low table 153 x 85 cm H35 cm



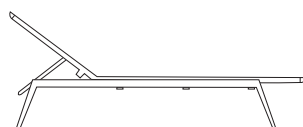
delivery unit: 1  
 packaging A (concrete top):  
 169 x 94 x H15 cm – 0,25 m<sup>3</sup> - 63 kg  
 packaging A (teak top):  
 157 x 82 x H5 cm – 0,06 m<sup>3</sup> - 17,5 kg  
 packaging A (granite top):  
 161 x 88 x H8 cm – 0,11 m<sup>3</sup> - 75 kg  
 packaging B (legs):  
 46 x 35 x H19 cm – 0,03 m<sup>3</sup> - 2,5 kg

07640-x-y Lounger

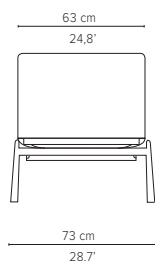


12 pieces

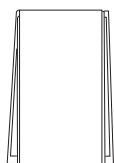
delivery unit: 1  
 packaging: 218 x 82 x 40 cm – 0,72 m<sup>2</sup> - 29 kg  
 seat: Batyline® in 00-white, 71-silkgrey and 89-wengé  
 cushion: C07640  
 Adjustable into 6 positions



34,0 cm  
13,4"

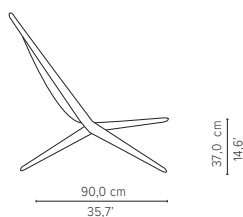
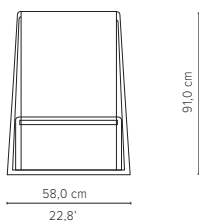


07612-x-y Beach Chair



delivery unit: 1  
 packaging A (frame) 125 x 58 x 17 m – 0,12 m<sup>2</sup> - 9,5 kg  
 packaging B (seat) 56 x 19 x 9 cm – 0,09 m<sup>2</sup> - 0,7 kg  
 seat: Batyline® in 00-white, 71 -silkgrey and 89-wengé  
 or a selection of fabrics\*\*

\*\* Available fabrics for beach chair:  
 Ashe (15)      Nubby Ebony (B17)  
 Leaf (42)  
 Granite (76)



\* Appearances, measurements and weights may slightly differ from reality.  
 x refers to frame, y refers to table top.

# BRANCH

---

## PROTECTION COVERS

For each item a cover is available that protects the furniture against dirt. These covers in grey colour are made of PU coated polyester which is water-repellent and UV-resistant. Thanks to their excellent breathable qualities the covers reduce condensation and heat build-up, helping to prevent the formation of mold and mildew. Nevertheless, they are not 100% waterproof. Always make sure that furniture, cushions and covers are completely dry before covering furniture.

## MAINTENANCE

### Frame

Clean the aluminium frame with tap water and a PH neutral soap. For stubborn stains, use Aluminium Cleaner. We advise to use Teflon® Protector twice a year which applies an invisible film and protects the aluminium against the adhesion of dirt.



D9952  
Aluminium  
Cleaner



D9930  
Teflon® Protector  
(spray that lays an invisible dirt-repellent film)

### Seat / Back

Rinse regularly with tap water and a pH neutral soap. For stubborn stains, use Synthetic Super Cleaner which can also be used to clean the aluminium frame, for extra protection we advise to use Synthetics Protector. Sharp objects should be avoided.



D9922  
Synthetics  
Super Cleaner



D9921  
Synthetics  
Protector

### Table top Teak

Treat new teak with Teak Protector 4 à 6 weeks after installation. Teak Protector applies an invisible film that prevents stains and green deposit. Soiled teak can be cleaned with Teak Super Cleaner. Leave the furniture to dry completely and then apply Teak Protector. To avoid labour-intensive cleaning, you can treat the wood with Teak Sealer. A simple cleaning with water and a ph-neutral soap will do for many years. Teak Sealer contains UV protection to slow down the graying from the sun as well as a fungicide to prevent the growth of mold and mildew.



D9914  
Teak Super  
Cleaner



D9912  
Teak Protector



D9959  
Teak Sealer

### Table top Granite

Clean with water and pH neutral soap. Granite Protector refreshes the gloss of the granite and makes it water and stain repellent. Do not use aggressive detergents as they attack the lime in the stone.



D9961  
Granite  
Cleaner/Protector

### Table top Concrete

Clean with a soft clean cloth soaked in a solution of warm, clear water and a pH-neutral fluid detergent. Rinse thoroughly and let dry. Stains should be cleaned immediately, especially oily stains. To remove marks or stains, use Synthetics Super Cleaner and gently rub with a short-haired, soft brush. Do not use corrosive or acidic detergents. To restore the original shine to dull concrete surfaces, we recommend treating the surface after cleaning with protective wax.



D9922  
Synthetics  
Super Cleaner

# BRANCH

---

## TECHNICAL STANDARDS

**07610** Side chair  
**07618** Armchair

ANSI/BIFMA X5.1-2011

EN1022:2005 6  
EN581-1:2006 5  
EN 1728:2012

ASTM B117-11 (MOD.)

CPSD-HL-01010-MTHD  
CPSD-HL-01012-MTHD



**07640** Lounger

ANSI/BIFMA X5.4-2012

ASTM B117-11 (MOD.)

CPSD-HL-01010-MTHD  
CPSD-HL-01012-MTHD



# BRANCH

PROJECT REFERENCES



Antiquvm Porto, Portugal – Branch side chair & square bistro table



Radisson Blu Edwardian, London – Branch side chair & round bistro table



Hotel Excelsior, Dubrovnik – Branch bistro table teak top

TRIBÙ