



## DESCRIPTION

The ILLUM collection refers to the classical Scandinavian furniture archetypes, translated with updated materials for outdoors. Aluminium is used like sculpted wood throughout the collection, with smooth transitions from crisp to soft lines. Functionality is paramount for ILLUM, without compromising on comfort and class. The soft-curving back support provides an inviting view and seating comfort. The table with its slim legs in aluminium or teak is kept pure and simple. The lounge is provided with a knee bend section and can easily be put in any position by means of a patented pump system.

## MATERIALS

- Frame: high pressure injected aluminium with a double powder coating (epoxy primer + polyester)
- Seat: Batyline®
- Table frame: high pressure injected aluminium with a double powder coating (epoxy primer + polyester) or Indonesian plantation teak
- Table tops: Indonesian plantation teak or ceramic.

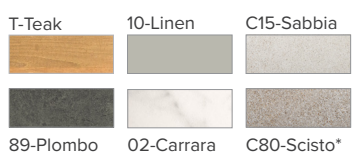
## CUSHIONS

Filling in dryfoam which has an open cell structure, so air can circulate freely. Water passes through the filling, but dries quickly thanks to the large open pores, substantially inhibiting fungal growth. Fabrics available in category D, E & F.

## COLOURS FRAME-X

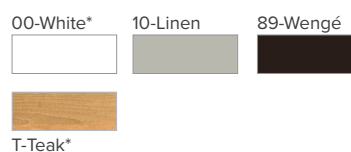


## COLOURS TABLE TOP-Y



\*This colour may possibly show delicate veins.

## COLOURS DINING TABLE FRAME-X

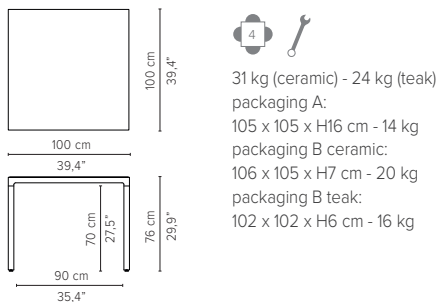


\*Not for Counter height tables.

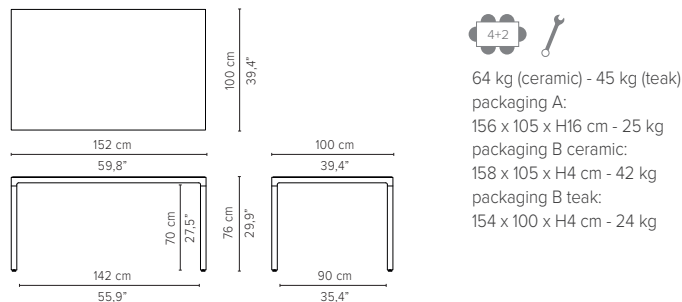
# ILLUM

## TECHNICAL DRAWINGS

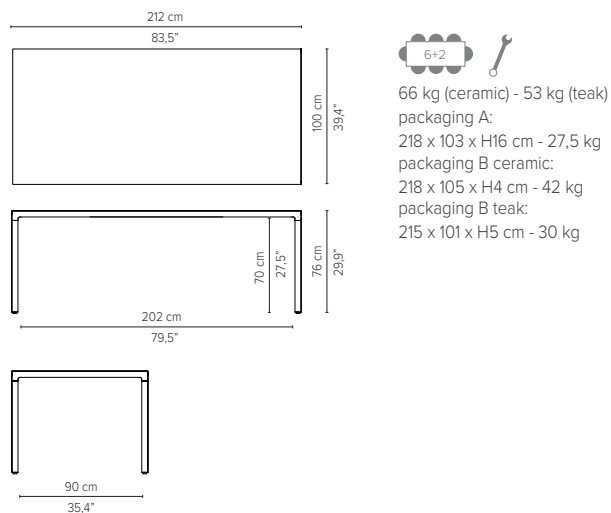
06573-x-y Dining table Alu 100 x 100 cm



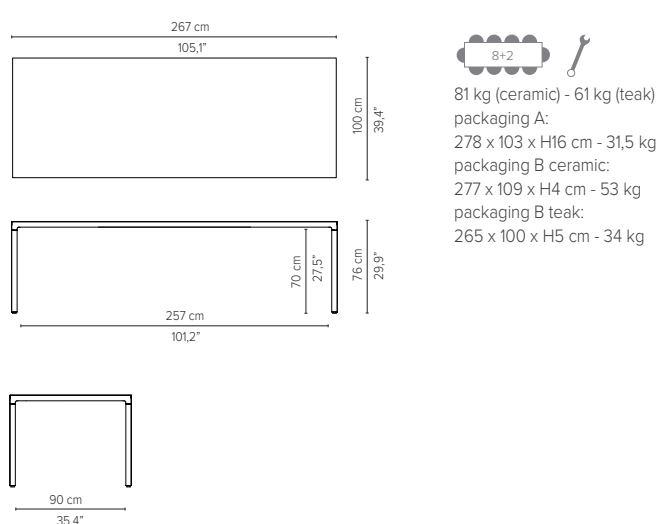
06550-x-y Dining table Alu 152 x 100 cm



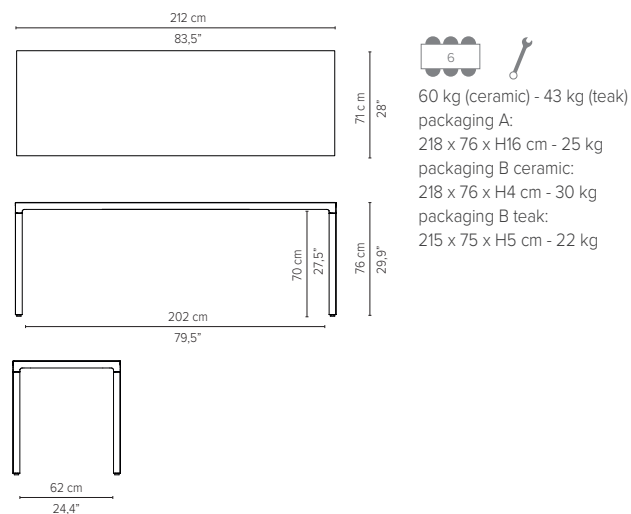
06552-x-y Dining table Alu 212 x 100 cm



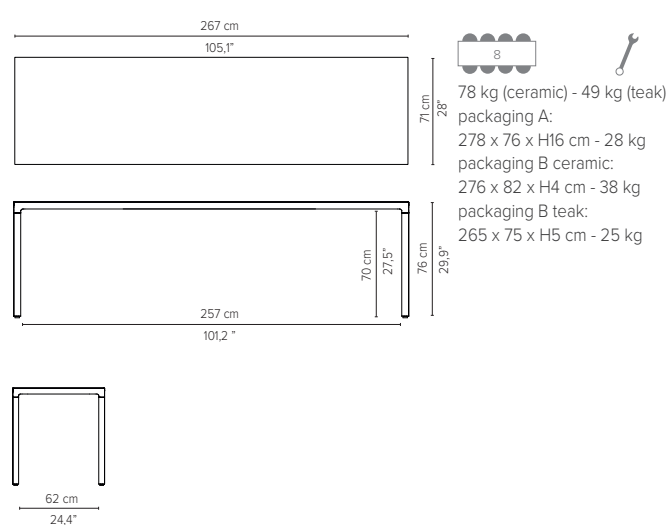
06554-x-y Dining table Alu 267 x 100 cm



06552xs-x-y Slim Dining table Alu 212 x 71 cm



06554xs-x-y Slim Dining table Alu 267 x 71 cm

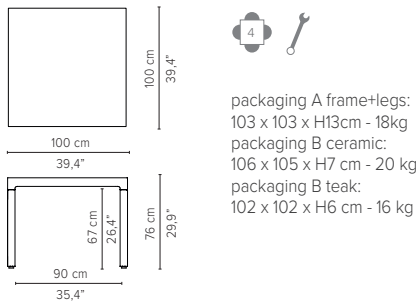


\* Appearances, measurements and weights may slightly differ from reality.

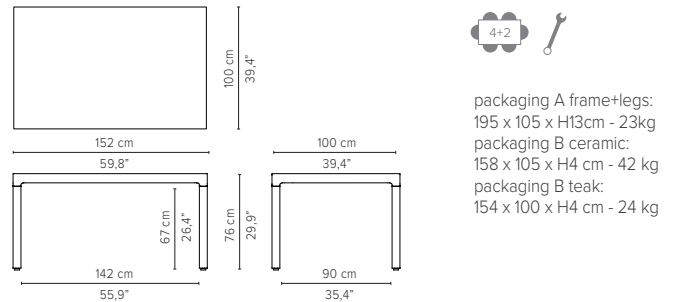
# ILLUM

## TECHNICAL DRAWINGS

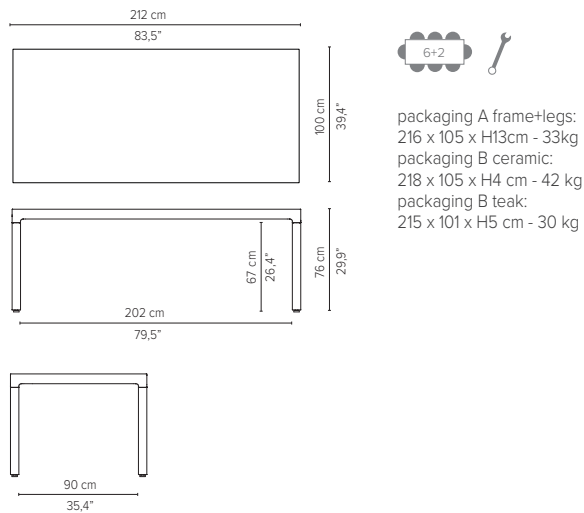
06573-T-y Dining table Teak 100 x 100 cm



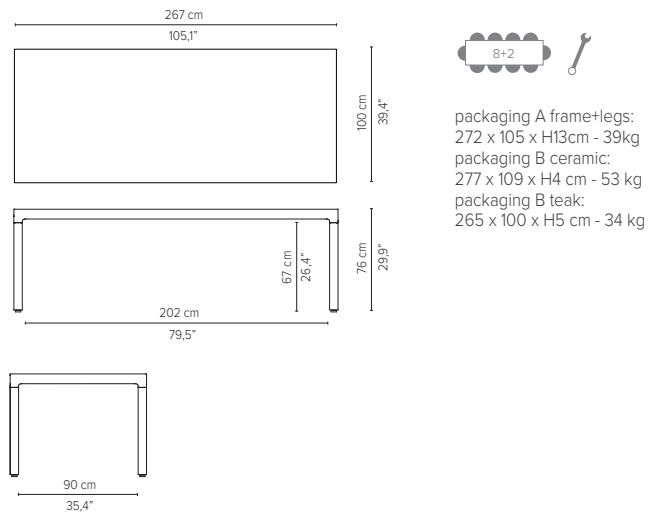
06550-T-y Dining table Teak 152 x 100 cm



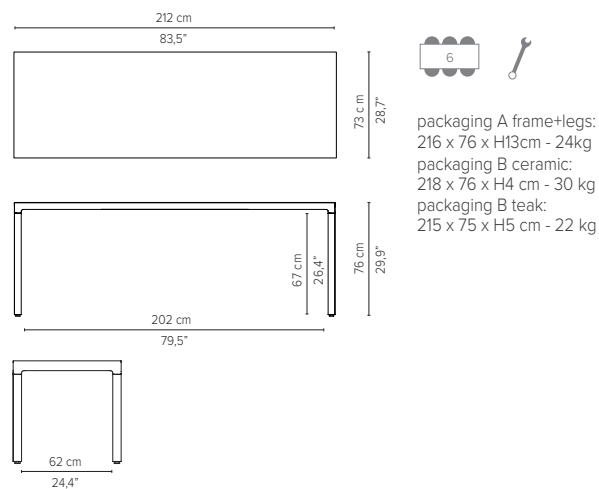
06552-T-y Dining table Teak 212 x 100 cm



06554-T-y Dining table Teak 267 x 100 cm



06552xs-T-y Slim Dining table Teak 212 x 73 cm



\* Appearances, measurements and weights may slightly differ from reality.

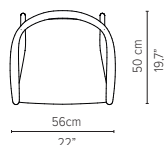
# ILLUM

## TECHNICAL DRAWINGS

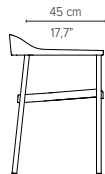
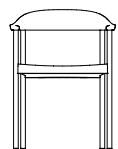
### 06518-x-x Armchair



3pcs



7,5 kg  
 delivery unit: 2  
 packaging:  
 60 x 60 x H87 cm - 0,3 m<sup>3</sup> - 18,1 kg  
 cushion: C06518W

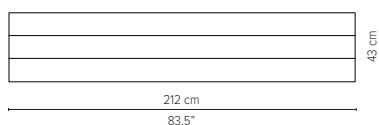


### 06534-x Bench

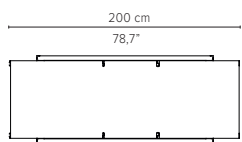


31 kg

delivery unit: 1  
 packaging A:  
 220 x 47 x H16 cm - 20,5 kg  
 packaging B:  
 220 x 45 x H5 cm - 15 kg  
 cushion:  
 C07434W (42x42cm)

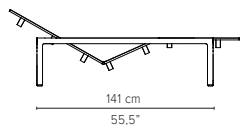


### 06540 Adjustable lounger



delivery unit: 1  
 packaging:  
 202 x 73 x H42 cm - 0,61 m<sup>3</sup> - 31,3 kg  
 cushions:  
 C06540W

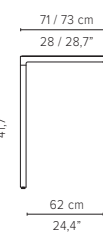
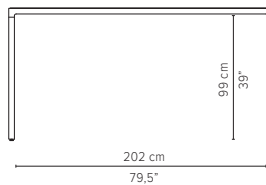
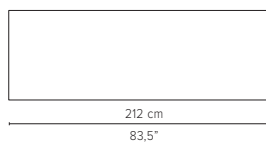
The backrest is adjustable by means of a pump system and can be put in any position you like. The angle of the backrest to the ground floor ranges from 180° to 125°



### 06588-x-y Bar table Alu 212 x 71 cm



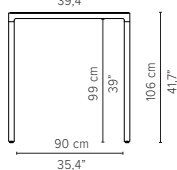
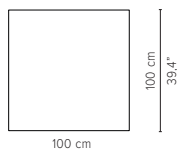
packaging A frame:  
 217 x 77 x H17 cm - 22 kg  
 packaging B legs:  
 11 x 17 x 97 cm - 7kg  
 packaging C ceramic:  
 218 x 76 x H4 cm - 30 kg  
 packaging C teak:  
 215 x 75 x H5 cm - 22 kg



### 06586-x-y Bar table Alu 100 x 100 cm



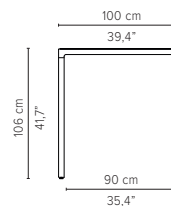
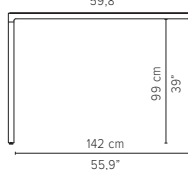
packaging A frame:  
 105 x 105 x H16 cm - 14 kg  
 packaging B legs:  
 11 x 17 x 97 cm - 7kg  
 packaging B ceramic:  
 106 x 105 x H7 cm - 20 kg  
 packaging B teak:  
 102 x 102 x H6 cm - 16 kg



### 06587-x-y Bar table Alu 152 x 100 cm



packaging A frame:  
 156 x 105 x H16 cm - 25 kg  
 packaging B legs:  
 11 x 17 x 97 cm - 7kg  
 packaging B ceramic:  
 158 x 105 x H4 cm - 42 kg  
 packaging B teak:  
 154 x 100 x H4 cm - 24 kg

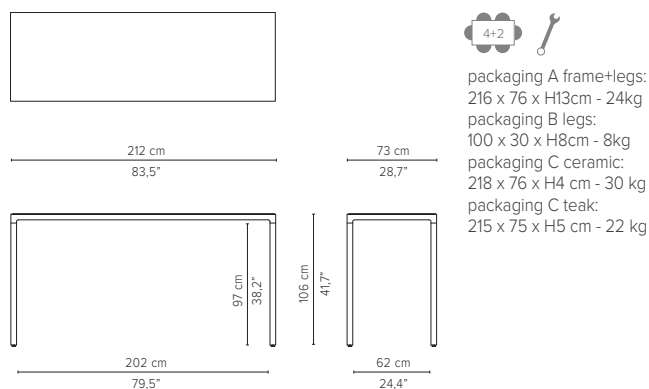


\* Appearances, measurements and weights may slightly differ from reality.

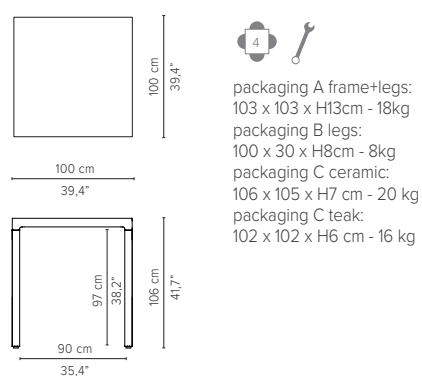
# ILLUM

## TECHNICAL DRAWINGS

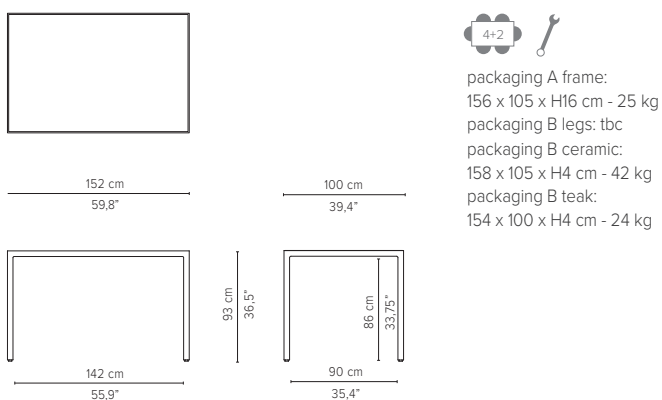
06588-T-y Bar table Teak 212 x 73 cm



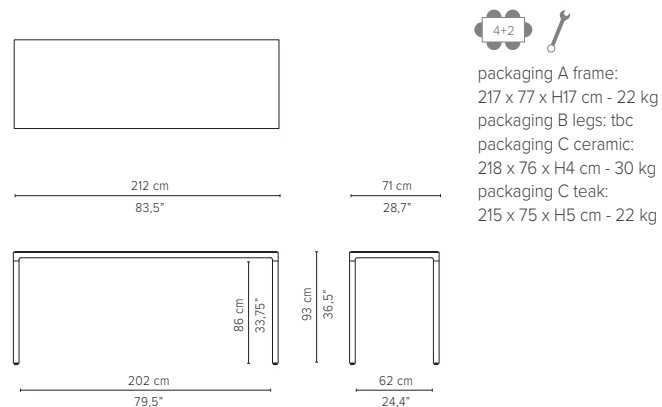
06586-T-y Bar table Teak 100 x 100 cm



06560-x-y Counter height table alu 152 x 100 cm



06554XS-x-y Counter height table alu 212 x 71 cm



\* Appearances, measurements and weights may slightly differ from reality.

# ILLUM

---

## PROTECTION COVERS

For each item a cover is available that protects the furniture against dirt. These covers in grey colour are made of PU coated polyester which is water-repellent and UV-resistant. Thanks to their excellent breathable qualities the covers reduce condensation and heat build-up, helping to prevent the formation of mold and mildew. Nevertheless, they are not 100% waterproof. Always make sure that furniture, cushions and covers are completely dry before covering furniture.

## MAINTENANCE

### Frame

Clean the aluminium frame with tap water and a PH neutral soap. For stubborn stains, use Aluminium Cleaner. We advise to use Teflon® Protector twice a year which applies an invisible film and protects the aluminium against the adhesion of dirt.

### Seat

The Batyline seat can be cleaned with soap and water. For stubborn stains use Synthetics Super Cleaner. Apply with a soft brush on both sides. Leave to soak for a while and rinse with a garden hose.



D9952  
Aluminium  
Cleaner



D9930  
Teflon® Protector  
(spray that lays an invisible dirt-repellent film)



D9922  
Synthetics  
Super Cleaner

### Table top Ceramic

Ceramic is very easy to maintain with clear water and a pH-neutral soap. Stubborn stains can be removed with Glass & Ceramic Cleaner. To protect the ceramic, Ceramic Protector can be used. This applies a highly water and soiling repellent coating, which also makes the surface brighter, smoother and easier to clean.



D9938  
Ceramic  
Cleaner



D9955  
Ceramic  
Protector

### Table top Teak + Seat Teak

Treat new teak with Teak Protector 4 à 6 weeks after installation. Teak Protector applies an invisible film that prevents stains and green deposit. Soiled teak can be cleaned with Teak Super Cleaner. Leave the furniture to dry completely and then apply Teak Protector. To avoid labour-intensive cleaning, you can treat the wood with Teak Sealer. A simple cleaning with water and a ph-neutral soap will do for many years. Teak Sealer contains UV protection to slow down the graying from the sun as well as a fungicide to prevent the growth of mold and mildew.



D9914  
Teak Super  
Cleaner



D9912  
Teak Protector



D9959  
Teak Sealer

# ILLUM

---

## TECHNICAL STANDARDS

### 06518 Armchair

ANSI/BIFMA X5.1-2011

EN1022:2005 6  
EN581-1:2006 5  
EN 1728:2012

ASTM B117-11 (MOD.)

CPSD-HL-01010-MTHD  
CPSD-HL-01012-MTHD





# ILLUM

## PROJECT REFERENCES



Jackalope Hotel, Merricks North, Australia – Illum armchair

