

MONSIEUR TRICOT

ILIA ECKARDT



DESCRIPTION

Monsieur Tricot is a collection of distinctive knitted and hand crocheted outdoor lighting. The hanging and standing lamps, designed by Belgian designer Ilia Eckardt, merge traditional techniques with high-performance materials and modern technology. Ilia grew up immersed in the Belgian fashion scene, his mother Hilde Frunt working for Belgian fashion designers like Raf Simons and Dries Van Noten. Fascinated by their world, he designed his own outdoor lighting collection which he composed as a family. Meet the handsome Monsieur Lebonnet, the graceful Madame Latoque, the chic Madame Cachet and their nephew Monsieur Ellipse. The lights give a warm glow and cast beautiful shadows for long summer nights.

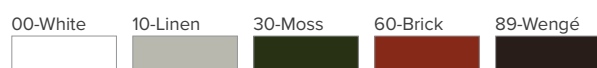
MATERIALS

- Sphere: PMMA thermoplastic
- Removable knit: weather resistant polypropylene, knitted or hand crocheted
- Base/top: powdercoated stainless steel

APP

The standing lamps can be operated with the Tribù Monsieur Tricot app, downloadable from the Apple Store or Google Play. You can create groups and add timer functions.

COLOURS



More info on installation, use of the app and maintenance of the lamps can be found in the manual on the Monsieur Tricot product page on our website.

MONSIEUR TRICOT

TECHNICAL DRAWINGS

STANDING LAMPS

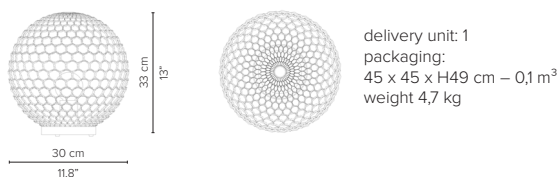
Light source	dimnable LED included
Colour temperature	2.129K
Voltage	9-12.6V
Wattage	2,5W
Average lifetime	30.000 hrs
Cycles on/off	≥ 10.000
Starting time	Within 1 sec
Warm-up time to 60% of the full light output	Immediately full light output
Light source dimensions	178 x 85 mm
Luminous flux	190 Lumen
Luminous efficacy	80 Lumen/Watt
Lumen maintenance	95% 3600H
Colour rendering index	Ra. 80
Energy class	G
Battery	Rechargeable battery, up to 12hrs operational at 100%
Charging	Power adaptor with USB-slot, cable included, 5 hrs of charging time
Control	On/off switch + control via Bluetooth/ Tribù Monsieur Tricot app (App Store or Google Play)
Dimming	Via Bluetooth connection
Extra	Ceiling hook included to turn your standing lamp into a hanging version
Certificates	CE (EU + UK), RoHS 2.0 (EU), FCC (USA), IC (Canada), RCM & SAA (Australia & New Zealand), MOC (Israel) IK08 IP65

* Appearances, measurements and weights may slightly differ from reality.

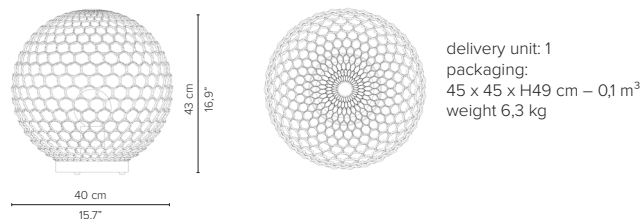
MONSIEUR TRICOT

TECHNICAL DRAWINGS

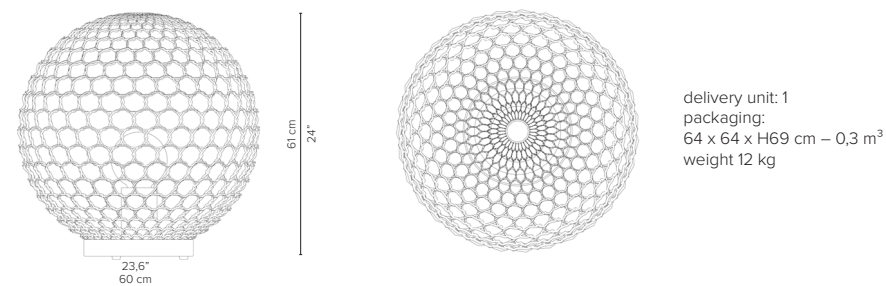
D080130S-xx Monsieur Lebonnet Ø30cm



D080140S-xx Monsieur Lebonnet Ø40cm



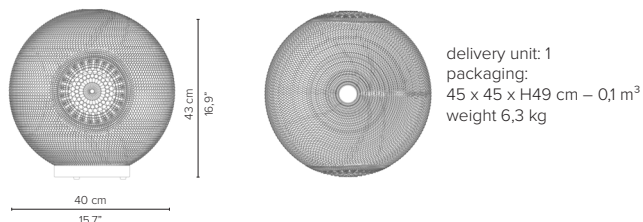
D080160S-xx Monsieur Lebonnet Ø60cm



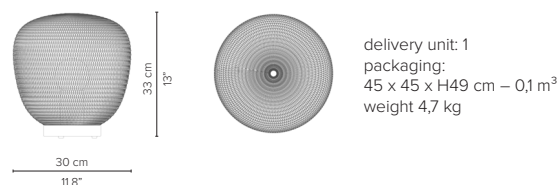
D080230S-xx Madame Latoque Ø30cm



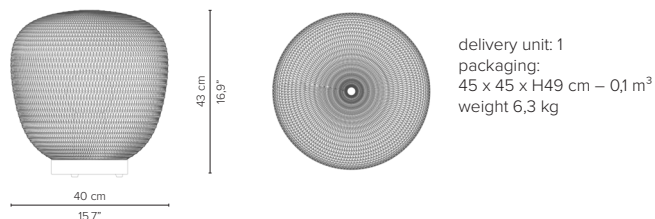
D080240S-xx Madame Latoque Ø40cm



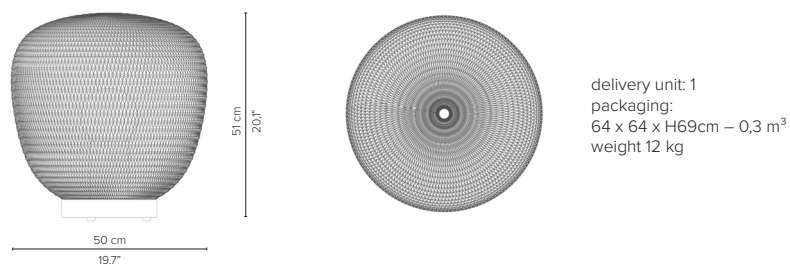
D080330S-xx Madame Cachet Ø30cm



D080340S-xx Madame Cachet Ø40cm



D080350S-xx Madame Cachet Ø50cm



* Appearances, measurements and weights may slightly differ from reality.

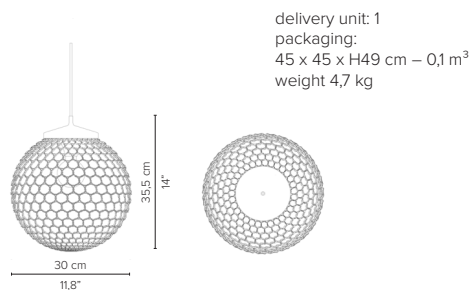
MONSIEUR TRICOT

TECHNICAL DRAWINGS

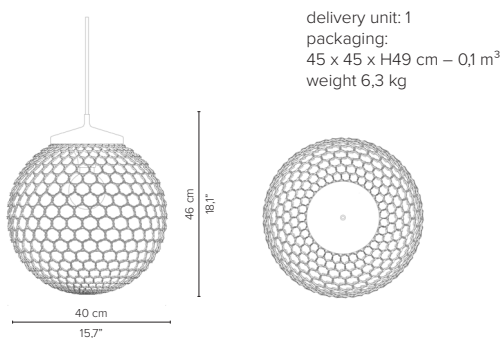
HANGING LAMPS

Light source	Dimmable LED filament bulb included
Colour temperature	2.200K
Socket	E27/E26
Voltage	220-240V
Wattage	2,5W
Average lifetime	30.000 hrs
Cycles on/off	10.000
Lumen flux	240 Lumen
Colour rendering index	Ra. 80
Energy class	F
Battery	no
Installing	5 meter cable, mounting bracket, ceiling canopy and wire connector clamps included
Control	Have a local professional install a switch. Switches cannot be purchased from Tribù
Dimmable	Yes
Certificates	CE (EU + UK), RoHS 2.0 (EU), FCC (USA), IC (Canada), SAA (Australia & New Zealand), MOC (Israel) IK08 IP55

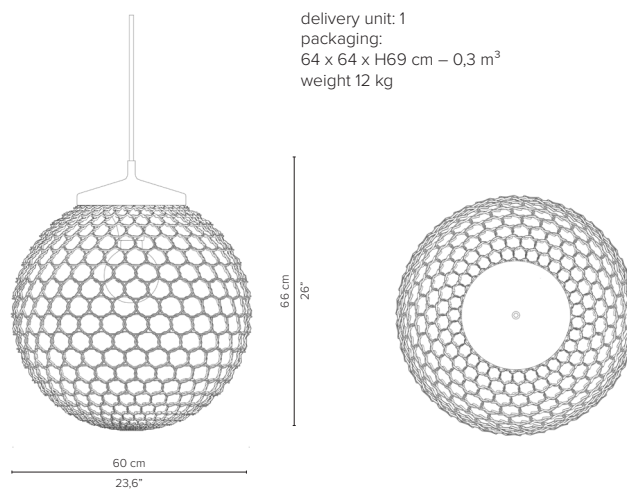
D080130H-xx Monsieur Lebonnet Ø30cm



D080140H-xx Monsieur Lebonnet Ø40cm



D080160H-xx Monsieur Lebonnet Ø60cm

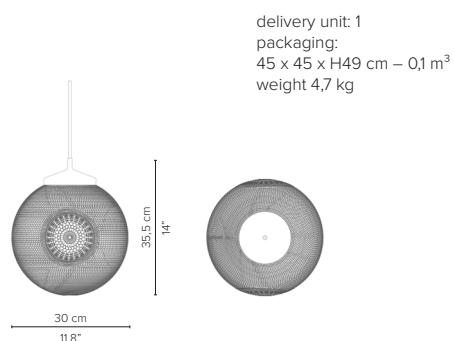


* Appearances, measurements and weights may slightly differ from reality.

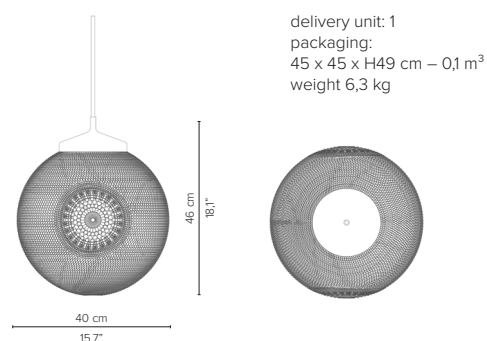
MONSIEUR TRICOT

TECHNICAL DRAWINGS

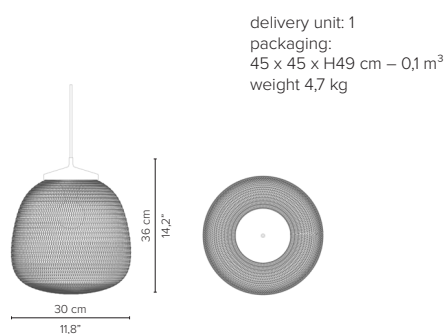
D080230H-xx Madame Latoque Ø30cm



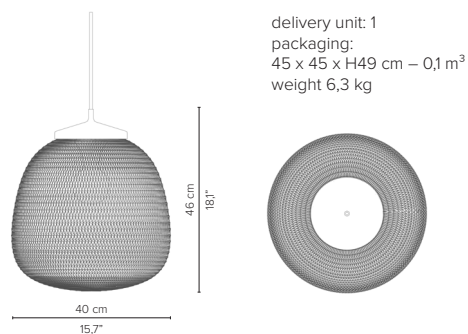
D080240H-xx Madame Latoque Ø40cm



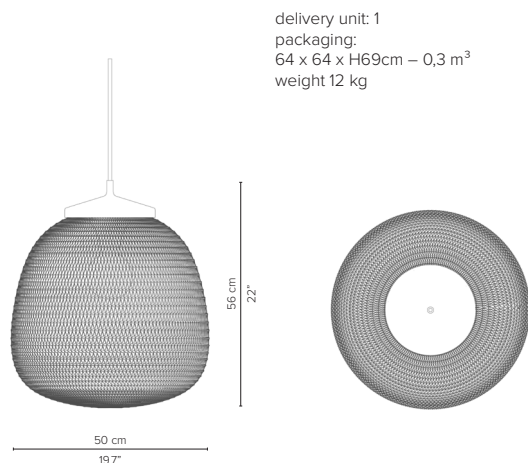
D080330H-xx Madame Cachet Ø30cm



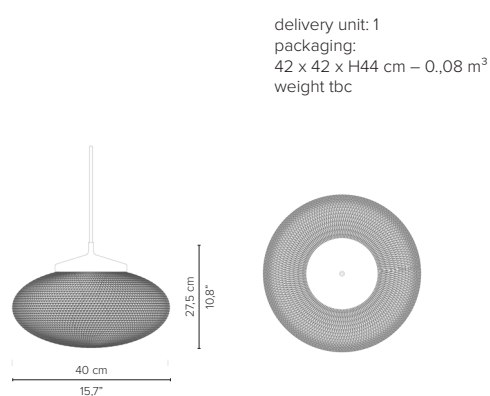
D080340H-xx Madame Cachet Ø40cm



D080350H-xx Madame Cachet Ø50cm



D080440H-xx Monsieur Ellipse Ø40cm



* Appearances, measurements and weights may slightly differ from reality.

MONSIEUR TRICOT

MAINTENANCE

The knitted cover can easily be removed to be cleaned in a washing machine at 40° (synthetic washing program). Let it dry in open air, certainly not in the dryer. Extend the Lebonnet braiding well before drying. Stubborn stains can be removed with Synthetics Super Cleaner. Use a microfiber cleaning cloth to clean the globe. Do not use a scourer, this causes scratches and damages the surface.



D9922
Synthetics
Super Cleaner