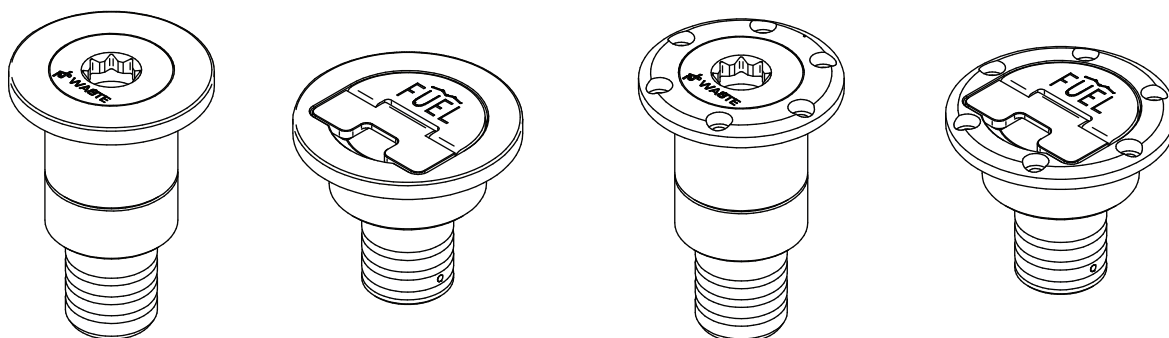


Maintenance

Deck filler. Aluminium / Stainless steel

Deck filler: DF40, DF40X, DF50, DF50X, DF40A, DF40AX, DF50A, DF50AX, DF40AW, DF40AWX, DF40W, DF40WX.



Clean with direct fresh water. When using soap, be sure to use mild dishwashing liquid and to rinse thoroughly.

TO DO EVERY WEEK !



Fresh water



Soap



Fresh water

Grease regularly the lifting parts with silicone grease.
 Don't use other types of lubricants, they may damage the anodization and the O-rings.
 Never use abrasive cleaning products.
 Never use steel or brass wool, polishing wheels or polishing compounds.

TO DO EVERY 6 MONTHS !



Silicone grease

