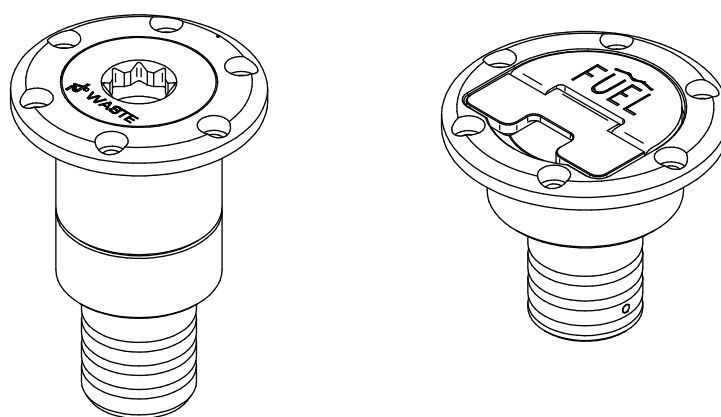


Installation instruction

Deck filler outside installation. Aluminium / Stainless steel

Deck filler: DF40A, DF40AX, DF50A, DF50AX, DF40AW, DF40AWX.



CAUTION. Read all instructions carefully before installing and using this product.

1. REQUIRED FOR INSTALLATION.



Template



Drill



Hole saw



Non acidic degreaser



Polyurethane marine sealant



Anti-corrosion lubricant



Threadlocker




Installation instruction

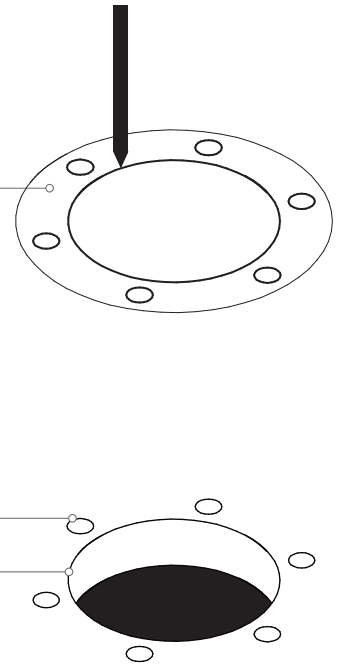
Deck filler outside installation. Aluminium / Stainless steel

1. TEMPLATE.

Choose the right template of the filler to be fitted and mark position of main hole and screws on the deck (see templates at page 05).

Use a hole saw to cut holes for cylinders and a drill bit to cut holes for screws.

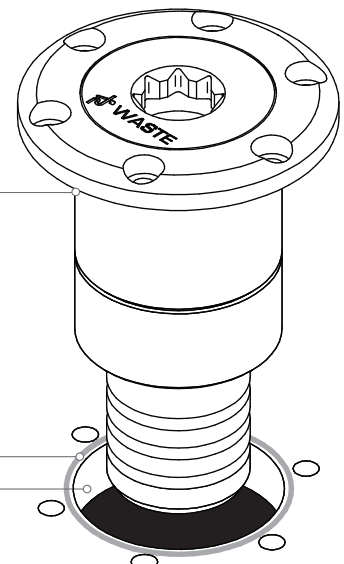
Type			
DF40AW / DF40AWX	print P.05	Ø 6,5 mm	Ø 55 mm
DF40A / DF40AX / DF50A / DF50AX	print P.05	Ø 6,5 mm	Ø 65 mm



2. PREPARING THE BASE.

Carefully clean the part with a non-acidic degreaser.

Then apply a small bead of marine sealant under the flange / on the deck.

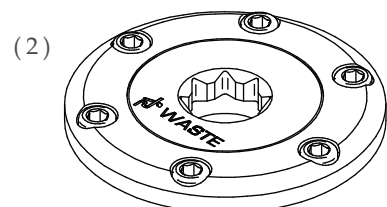
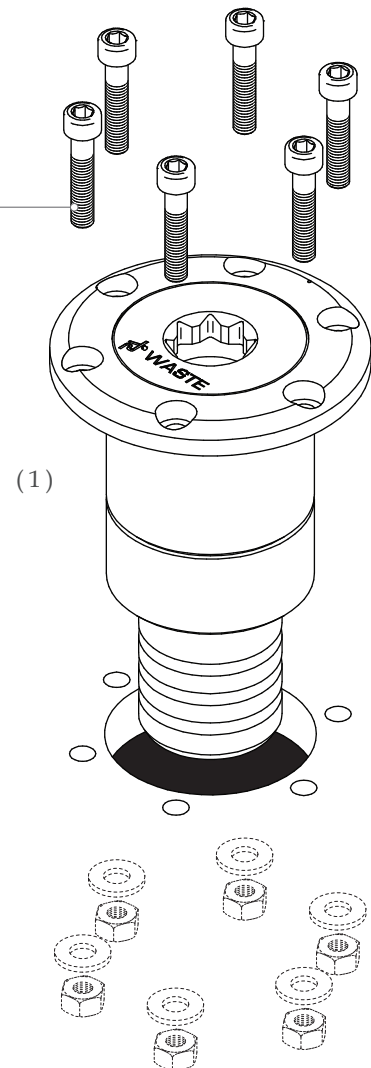


Installation instruction

Deck filler outside installation. Aluminium / Stainless steel

3. INSTALLATION

Place the deck filler into the housing and put the bolts.
 Apply some anti-corrosion lubricant into the screw holes and
 some threadlocker to the thread. Tighten firmly the bolts.



Installation instruction

Deck filler outside installation. Aluminium / Stainless steel

4. DRAINAGE.

Once the deck filler is fitted you can connect the piping.

Type	Pipe internal diameter (mm)
DF40A / DF40AW / DF40AX / DF40AWX	Ø 38
DF50A / DF50AX	Ø 50

