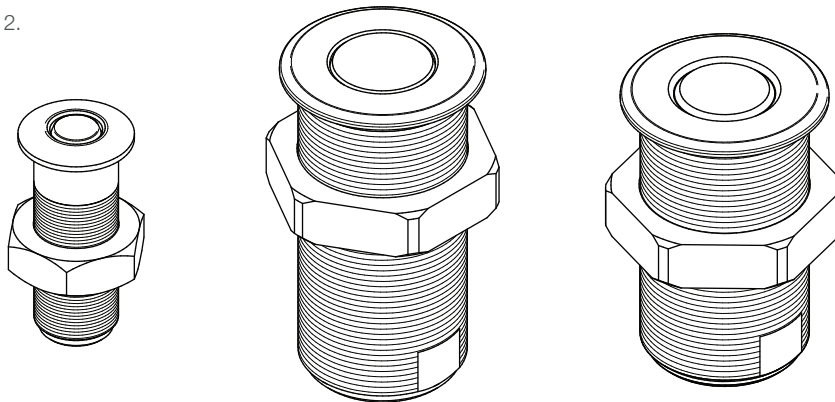


Installation instruction











Quick lock Smartlock (female) and BP20X. Aluminium / Stainless steel

Smartlock: SL10X F, SL20 F, SL20X F.
 Base: BP20X.
 Extension nut: SL1010, SL2010.
 Threaded bushing: SL1012, SS2012.
 Special tool: SL1003, SL2003.



CAUTION. Read all instruction carefully before installing and using this product.

1. REQUIRED FOR INSTALLATION.

- | | | |
|--|--|---|
|  Template |  Hole saw |  Drill (only for threaded bushings) |
|  Wrench |  Non-acidic degreaser |  Polyurethane marine sealant |
|  Threadlocker |  Anti-corrosion lubricant |  Epoxy glue (only for the Threaded Bushing assembly) |
|  hexagonal key (only for the SL1003) | | |

Installation instruction


Quick lock Smartlock (female) and BP20X. Aluminium / Stainless steel

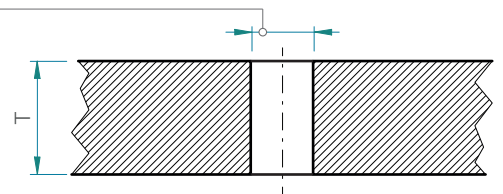
1. INSTALLATION BY STANDARD NUT.

1.1. TEMPLATE AND DRILLING.

Mark the hole, and use a hole saw to cut hole for the Smartlock/BP20X.



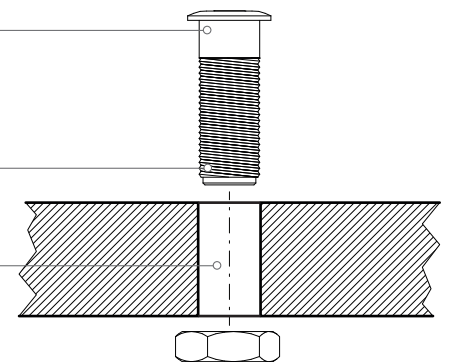
Type		T max
SL10X F	Ø 16,5 mm	30 mm
SL20 F / SL20X F / BP20X	Ø 32,5 mm	50 mm



1.2. FITTING.

Carefully clean the base of the Smartlock/BP20X with a non-acidic degreaser. Then apply a small bead of marine sealant.


Apply some anti-corrosion lubricant into the drilled hole, and some threadlocker to the thread.

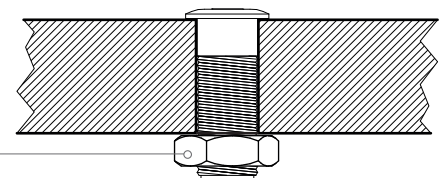


1.3. ASSEMBLY.

Insert the Smartlock inside the hole, and screw the nut with the wrench.

Remove the excess of marine sealant on the top.

Type	
SL10X F	24 mm
SL20 F / SL20X F / BP20X	40 mm



Installation instruction


Quick lock Smartlock (female) and BP20X. Aluminium / Stainless steel

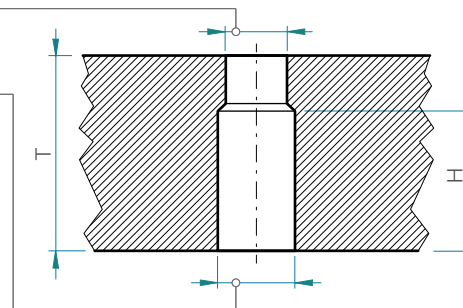
2. INSTALLATION BY EXTENSION NUT.

2.1. TEMPLATE AND DRILLING.

Mark the hole, and use a hole saw to cut hole for the Smartlock/BP20X, and a drill to cut hole for the extension nut.



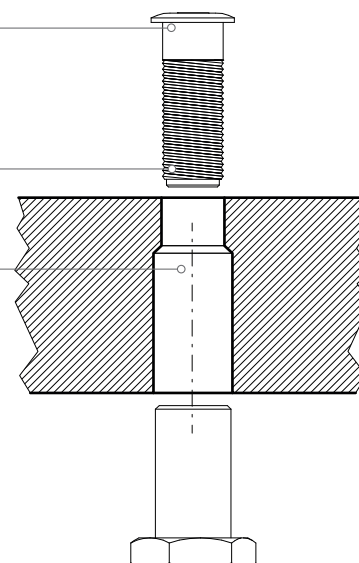
Type		T max		H
SL10X F + SL1010	Ø 16,5 mm	65 mm	Ø 20,5 mm	37 mm
SL20 F / SL20X F / BP20X + SL2010	Ø 32,5 mm	95 mm	Ø 35,5 mm	42 mm



2.2. FITTING.

Carefully clean the base of the Smartlock/BP20X with a non-acidic degreaser. Then apply a small bead of marine sealant.

Apply some anti-corrosion lubricant into the drilled holes, and some threadlocker to the thread.




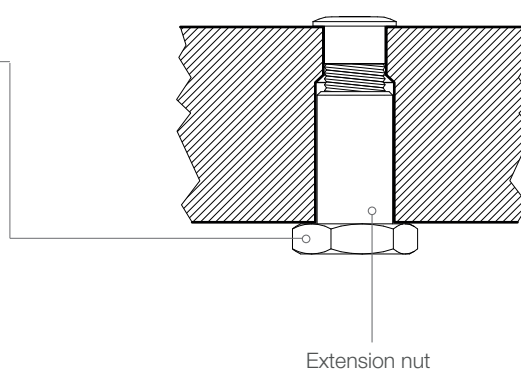
Installation instruction

Quick lock Smartlock (female) and BP20X. Aluminium / Stainless steel

2.3 ASSEMBLY.

Insert the Smartlock inside the hole, and screw the extension nut with the wrench.
Remove the excess of marine sealant on the top.

Type	
SL10X F + SL1010	30 mm
SL20 F / SL20X F / BP20X + SL2010	40 mm



Installation instruction


Quick lock Smartlock (female) and BP20X. Aluminium / Stainless steel

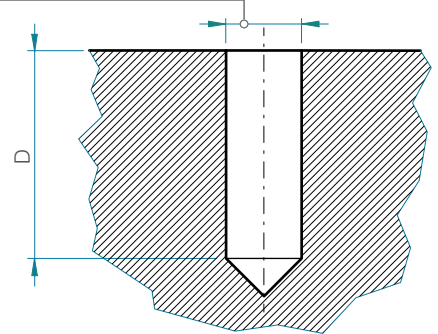
3. INSTALLATION BY THREADED BUSHING.

3.1. TEMPLATE AND DRILLING.

Mark the hole, and use a drill to cut hole for the threaded bushing.



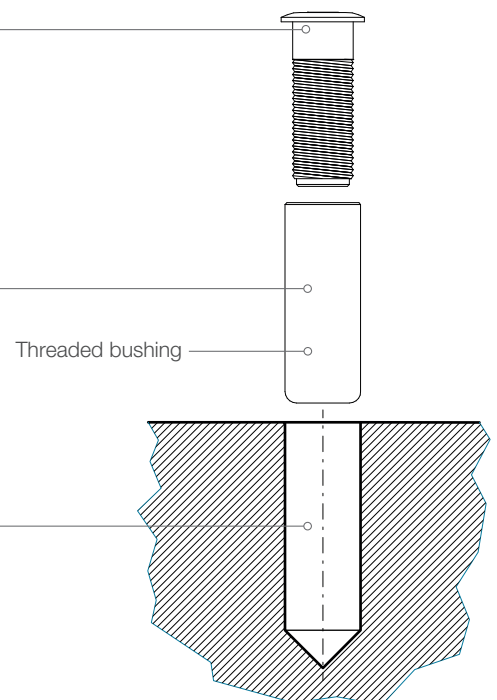
Type		D
SL10X F + SL1012	Ø 20,5 mm	55 mm
SL20 F / SL20X F + SS2012	Ø 36,5 mm	77 mm



3.2. FITTING

Carefully clean the outer surface of the threaded bushing with a non-acid degreasing agent. Then apply the epoxy glue inside the drilled hole, and insert the threaded bushing.

Wait for the complete polymerization of the glue, carefully clean the base of the Smartlock with a non-acidic degreaser. Then apply a small bead of marine sealant and screw the Smartlock inside the threaded bushing.

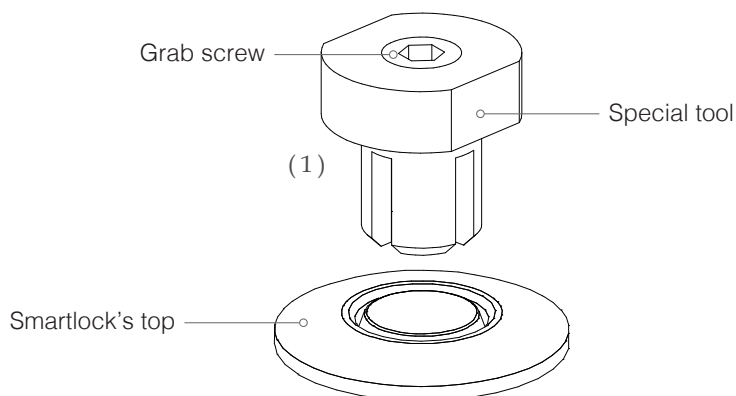





Installation instruction

Quick lock Smartlock (female) and BP20X. Aluminium / Stainless steel

3.3. ASSEMBLY.

- (1) Insert the special tool inside the Smartlock.
- (2) Tighten the grab screw with the hexagonal key keeping stationary the special tool (through this, the special tool will make grip inside the Smartlock), and screw it with the wrench.
- (3) Unscrew the grab screw and remove the special tool from the Smartlock, and remove the excess of marine sealant on the top.



Type			
SL10X F + SL1012 + SL1003	3 mm		13 mm
SL20 F / SL20X F + SL2003		8 mm	19 mm

