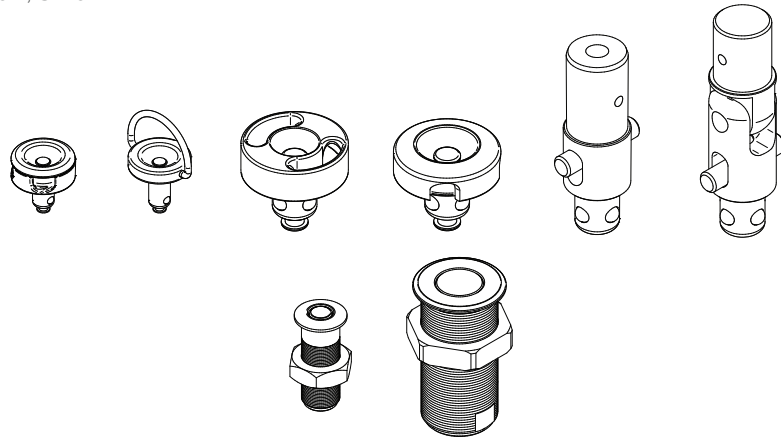


User guide

Quick lock Smartlock. Aluminium / Stainless steel

Smartlock male: SL10X M, SL10X-SP, SL20 M, SL20 P, SL20X M, SL20X P, SS20 MJ, SS20X MD, SS20X MJ.
 Smartlock female: SL10X F, SL20 F, SL20X F.



1. INSTALLATION .

Press the bottom/lever of the male Smartlock, and insert it inside the female Smartlock. Now the male Smartlock is locked but always free to rotate. To remove it, press the bottom/lever again.

