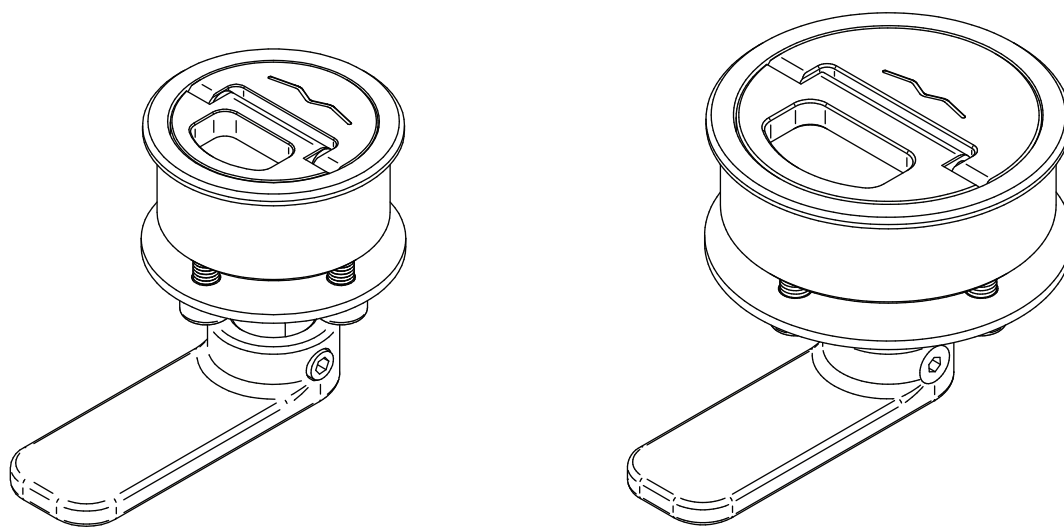


## Installation instruction

### *Cam Latch. Aluminium / Stainless steel*

Cam Latch: LH50, LH70, LH50X, LH70X, LH50K, LH50XK, LH70K, LH70XK.  
Extension Cam: LH010



**CAUTION.** Read all instructions carefully before installing and using this product.

#### 1. REQUIRED FOR INSTALLATION.



Template



Hole saw



Non acidic degreaser



Polyurethane marine sealant



Anti-corrosion lubricant



Threadlocker


## Installation instruction

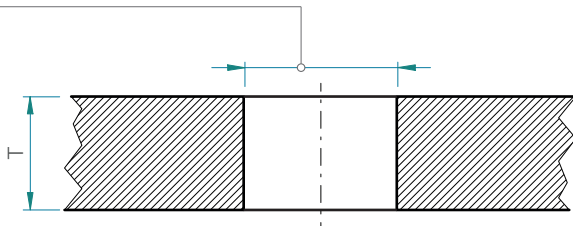
### Cam Latch. Aluminium / Stainless steel

#### 1. TEMPLATE AND DRILLING.

Mark the hole, and use a hole saw to cut hole.

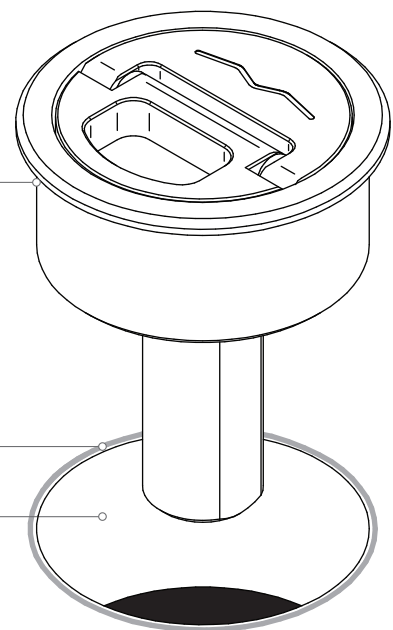


Type		T min	T max
LH50 / LH50X / LH50K / LH50XK	Ø 45 mm	20 mm	35 mm
LH70 / LH70X / LH70K / LH70XK	Ø 65 mm	20 mm	35 mm



#### 2. PREPARING THE LATCH.

Carefully clean the latch with a non-acidic degreaser.  
Then apply a small bead of marine sealant.

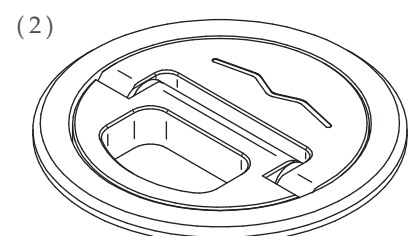
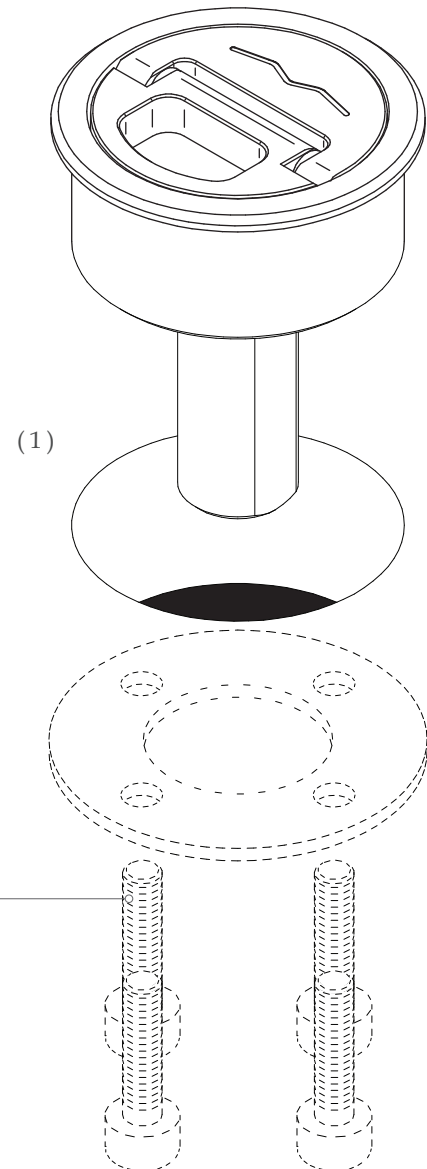


## Installation instruction

### Cam Latch. Aluminium / Stainless steel

#### 3. FITTING

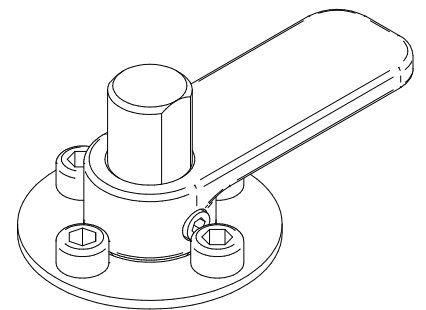
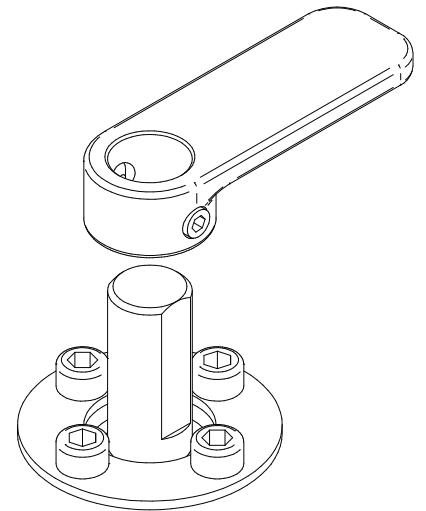
Place the latch into the deck, then place its backing plate and screw  
(we recommend touse anti-corrosion lubricant into the screw holes).  
Tighten firmly the screws.



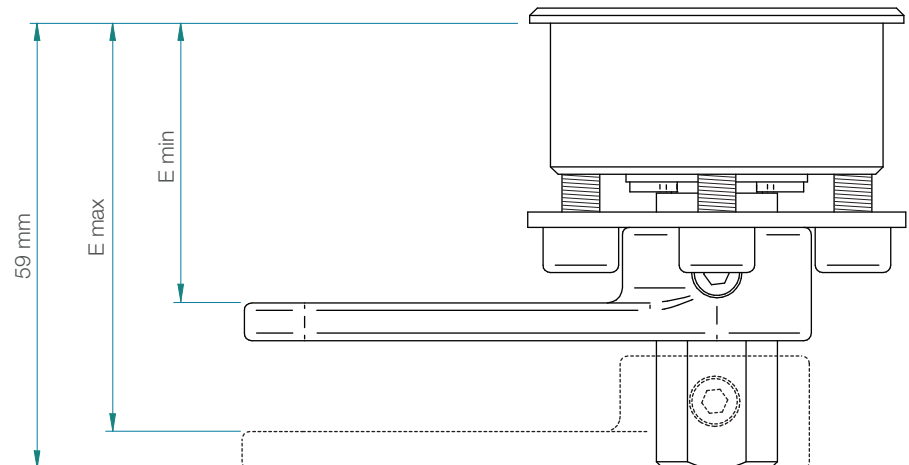
## Installation instruction

### *Cam Latch. Aluminium / Stainless steel*

#### 4.1. INSTALLATION WITH STANDARD CAM



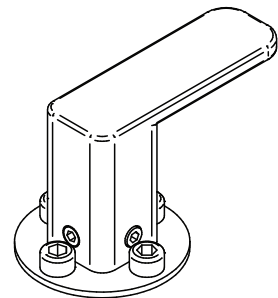
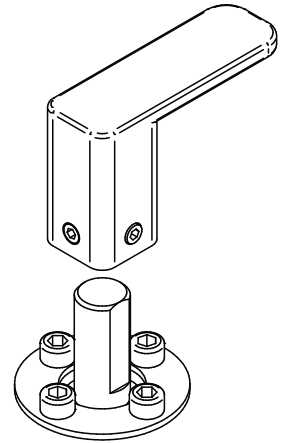
E min	E max
30 mm	54 mm



## Installation instruction

### *Cam Latch. Aluminium / Stainless steel*

#### 4.2. INSTALLATION WITH EXTENSION CAM (LH010)



E min	E max
67 mm	85 mm

