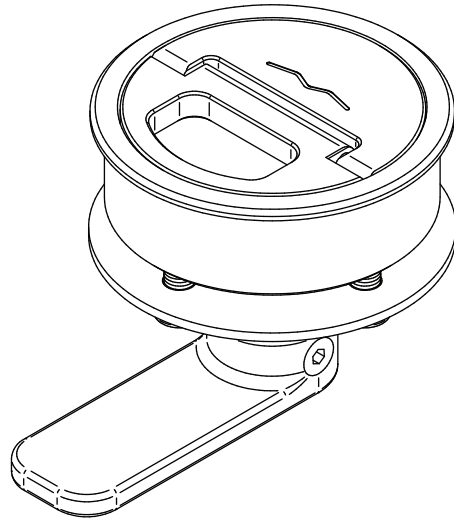
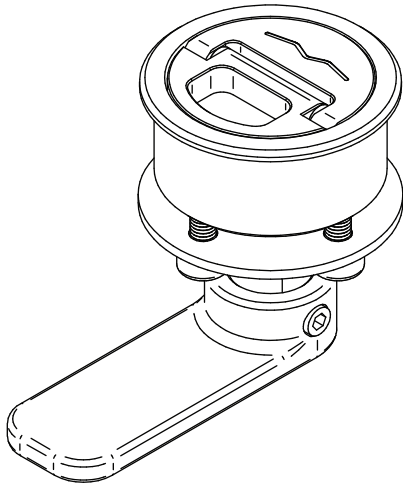


## Maintenance

### *Cam Latch. Aluminium / Stainless steel*

Cam Latch: LH50, LH70, LH50X, LH70X, LH50K, LH50XK, LH70K, LH70XK.



Clean with direct fresh water. When using soap, be sure to use mild dishwashing liquid and to rinse thoroughly.

TO DO EVERY WEEK !



Fresh water



Soap



Fresh water

Grease regularly the lifting parts with silicone grease.  
 Don't use other types of lubricants, they may damage the anodization and the O-rings.  
 Never use abrasive cleaning products.  
 Never use steel or brass wool, polishing wheels or polishing compounds (on aluminium parts).

TO DO EVERY 6 MONTHS !



Silicone grease

