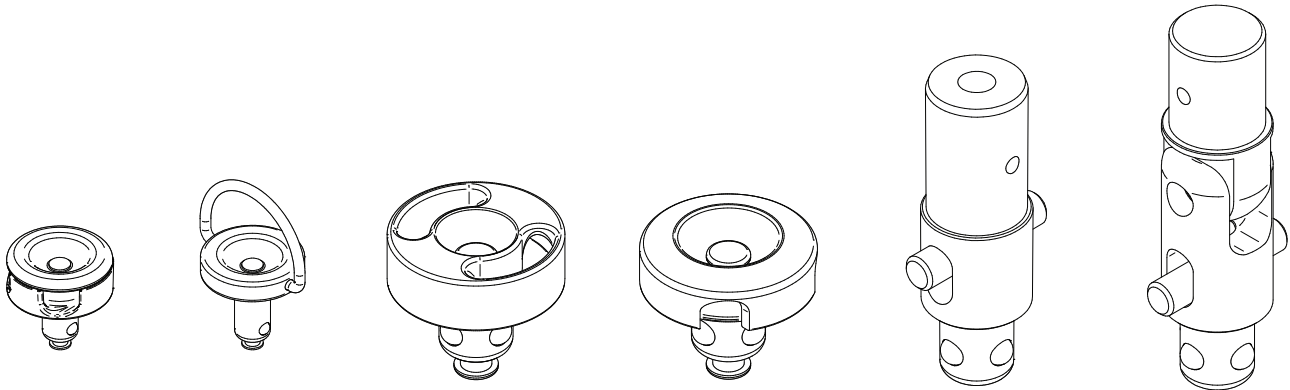


## Maintenance

### Quick lock Smartlock (male). Aluminium / Stainless steel

Smartlock: SL10X M, SL10X-SP, SL20 M, SL20 P, SL20X M, SL20X P, SS20 MJ, SS20X MD, SS20X MJ.



Clean with direct fresh water. When using soap, be sure to use mild dishwashing liquid and to rinse thoroughly.

TO DO EVERY WEEK !



Fresh water



Soap



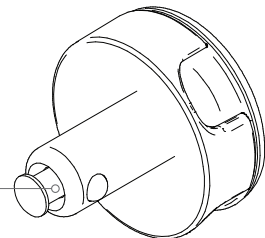
Fresh water

Grease regularly the lifting parts with silicone grease.  
 Don't use other types of lubricants, they may damage the anodization and the O-rings.  
 Never use abrasive cleaning products.  
 Never use steel or brass wool, polishing wheels or polishing compounds (on aluminium parts).

TO DO EVERY 6 MONTHS !



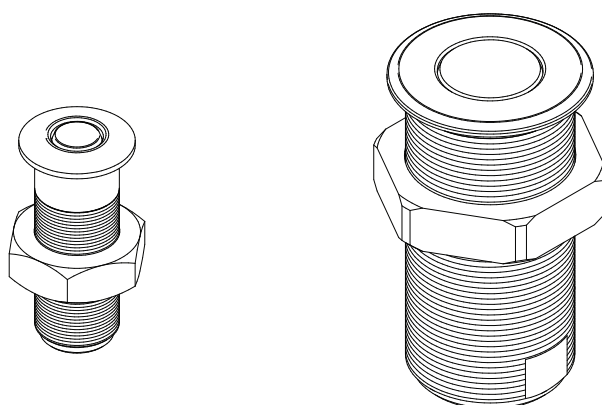
Silicone grease



## Maintenance

### *Quick lock Smartlock (female). Aluminium / Stainless steel*

Smartlock: SL10X F, SL20 F, SL20X F.



Clean with direct fresh water. When using soap, be sure to use mild dishwashing liquid and to rinse thoroughly.

TO DO EVERY WEEK !



Fresh water



Soap



Fresh water

Grease regularly the lifting parts with silicone grease.  
 Don't use other types of lubricants, they may damage the anodization and the O-rings.  
 Never use abrasive cleaning products.  
 Never use steel or brass wool, polishing wheels or polishing compounds (on aluminium parts).

TO DO EVERY 6 MONTHS !



Silicone grease

