

NEWS!
2014

PRODUCT CATALOGUE

EVERYTHING FOR ELECTRICAL HEATING

04/2014



ABOUT LVI

Introduction

6

PANEL RADIATORS

General

10



Yali Digital [YALI D, YALI DP]

12



Yali Parada [YALI P]

14



Yali Ramo [YALI R]

16



Yali Comfort [YALI C, YALI CP]

18



Yali GV [YALI GV]

20



Kaba [KABA, KABA P]

22

DECORATIVE RADIATORS

General

28



Epok [EPO]

30



Epok V [EPO V]

32



Tamari [TAM]

34



Tamari V [TAM V]

36



Langila [LAN V, LAN TR]

38



Sanbe [SAN V, SAN TR]

40



Milo H [MIL, MIL P]

42



Milo V [MIL V, MIL VP, MIL TR]

46

TEMPCO CONTROL SYSTEM

General

24



TempCo GSM

26



TempCo Clock

26



TempCo Connect









26



TempCo Touch E3

26

TOWEL WARMERS

General	50
 Nilá [NIL P, NIL RP, NIL TIP]	52
 Muria [MUR P, MUR RP, MUR TIP]	54
 Athena A [ATH AP]	56
 Athena E [ATH EP]	58
 Athena S [ATH SP]	60
 Jarl [JAR]	62
 Alaid [ALAI, ALAI IR, ALAI X]	64
 Bandai [BAN, BAN IR]	66

GENERAL INFORMATION

Accessories	68
Crosslist	71
General information	73
Colour	74



PART OF THE **RETTIG**  GROUP

THE POWER OF A WORLD RANKING COMPANY

WITH ANNUAL SALES OF APPROXIMATELY EUR 640 MILLION, THE RETTIG ICC GROUP CAN JUSTLY CLAIM TO BE EUROPE'S BIGGEST RADIATOR AND UNDERFLOOR HEATING COMPANY.

Rettig ICC markets a variety of top brands, well-known to professionals in the heating business at national, European and international level. Beyond the continent of Europe, we must also mention our growing operations in Asia and America.

The values that the company brings to its customers are based on the creation, maintenance and development of win-win commercial relationships.

Today, the Rettig ICC Group has the contribution of more than 4600 experienced and enthusiastic employees behind it. Rettig's products consist of steel panels, convectors, design and bathroom radiators and underfloor heating systems.





EXPERIENCE THE WARMTH OF **CLEVER HEATING**

COMFORT – CHOICE – COMMITMENT – QUALITY. AT LVI, THESE FOUR, POWERFUL PROMISES HAVE COME TOGETHER TO CREATE CLEVER HEATING, A UNITED FRONT THAT OFFERS YOU THE ULTIMATE IN ELECTRICAL HEATING SOLUTIONS.

We know about electrical heating. We've been at the forefront of our industry for almost a century and have used this experience and know-how to develop a vast range of heating solutions – many of them oil-filled – that offer the very best form of heat, remarkable style, unsurpassed comfort and boundless choice.

Inside this catalogue you'll discover just how deep this alliance runs, with an impressive range of panel and decorative radiators and dual-purpose towel warmers. We invite you to join the strongest association in the heating industry – "Clever Heating".

LVI IS A MARKET LEADER IN COUNTRIES WHERE IT IS COLD – **SOMETIMES VERY COLD!**

LVI WAS ESTABLISHED BACK IN 1922 AND IS SWEDEN'S LEADING BRAND IN THE SECTOR.

Our oil-filled electric radiators are produced according to the strictest environmental requirements and are extensively tried and tested in houses, holiday cottages and blocks of flats, as well as in public buildings and institutions.

LVI offers a wide range of electric heating solutions employing advanced technology. In this catalogue you will find our range of oil-filled electric radiators, towel warmers and accessories.



VEGETABLE OIL IN THE RADIATORS

THE VEGETABLE OIL THAT CONDUCTS THE HEAT IN MANY OF OUR RADIATORS IS THE RESULT OF 35 YEARS OF RESEARCH AND DEVELOPMENT.

The oil has a special, patented composition, and can withstand extreme temperatures without its properties being impaired. LVI can therefore guarantee that the oil will last throughout the product's service life without needing to be replaced. The actual element comprise two layers of high-quality steel. These are joined together through machine welding, resulting in a product with no welds or joints. The technology used in LVI's radiators is founded on the principle of heat conduction, which entails heating up a liquid that circulates within a closed system.

The liquid used in most of our radiators is vegetable oil, whose good heat-retaining properties ensure an even and comfortable heat. Thanks to the precise thermostats and the temperature reduction programs, you can make real energy savings.

OUR PHILOSOPHY: PROTECT THE ENVIRONMENT

LVI is working actively to counter environmental destruction, and has an environmental perspective both in its manufacturing process and in the recycling and reuse of waste and production residue. We look after the environment and therefore take care to develop radiators that satisfy the strictest requirements as regards quality, safety and the environment. In accordance with EU Directive 2002/96/EC regarding waste comprising or containing electrical or electronic products, as well as Decree no. 2005-829 dated 20 July 2005, an environmental surcharge is currently added to electrical and electronic products from LVI (sold to certain countries).



CERTIFICATION

ISO 9001. ISO 14001 certification



WEEE SYMBOL

The symbol indicates that the product may not be handled as household waste but must be sorted separately. At the end of its service life, it must be handed in to a reception centre for electrical and electronic products.

LVI'S COMPREHENSIVE GUARANTEE

When you've spent over 90 years producing quality radiators, you learn what makes your products deliver their promises of beautiful heat, efficiency, style and durability. We are passionate about maintaining our high quality and every LVI radiator is made using the best possible materials and designed and manufactured by people with hundreds of years of collective experience. We test our radiators extensively under gruelling conditions so you can rest assured knowing your LVI is both aesthetically beautiful and reliable



**We're confident you'll never need our 10-year guarantee on radiators nor our 2-year guarantee on electrical parts, but we want to make sure you feel completely comfortable with your purchase and know our commitment to your satisfaction is genuine.*



A NEW GENERATION OIL-FILLED ELECTRIC RADIATORS

LVI is synonymous with comfort, which means you can be sure that your customers will be more than satisfied with our products. The new Yali range features SoftHeat^{2.0}, an innovation that offers a distinctive comfort and warmth. You see, SoftHeat^{2.0} refers to LVI products that are filled with vegetable oil. When heated, they emit a natural, comfortable radiant heat that we call SoftHeat^{2.0}, thanks to the electronic thermostat which is accurate to an incredible 0.2°C

Yali radiators are quiet and odourless, and can operate at lower surface temperatures to provide the same indoor temperature. This means the radiator is never too hot to touch, and will not singe or burn any dust that falls. And SoftHeat^{2.0} also means a reduction in dust circulation, which is great news for allergy sufferers. What's more, the Yali provides a natural radiant heat that does not evaporate moisture from the air. All in all, it provides the pleasure of an indoor environment that your customers are sure to love.



PRECISE TEMPERATURE REGULATION

Incredible accuracy in the Yali's control system means temperature is accurate to 0.2°C.



CONTROLLED SURFACE TEMPERATURE

The surface temperature can be reduced to 75 or 60°C.



OPEN WINDOW FUNCTION

Function which will shut down the radiator when temperature drops instantly.



SILENT OPERATION

No moving parts, no external plumbing or fluid movement in or out of the unit = complete silence.



CASCADE FUNCTION

Intelligent regulation function, backpanel operates as a booster when temperature is 1°C below setpoint.



RAPID HEAT

Because it's a closed unit powered by electricity, the Yali can reach the desired temperature in a matter of seconds.



SCENTLESS, NO BURNT DUST

The internal fluid is heated/cooled with no smell, also low surface temperatures means no dust is burned.



3 STAR RATING

Certain Yali radiators have earned the coveted French NF 3-star rating for superior energy efficiency.



EVEN DISTRIBUTION

All corners of the Yali radiator will be the same temperature – no cold or hot spots anywhere.



WIFI CONTROLLED

When connected to a wireless central programmer, these Yali models can be effortlessly controlled via any web browser.



MODERN DESIGN

Crafted for beauty as well as warmth, the Yali is designed with the modern home in mind.



ENVIRONMENTALLY FRIENDLY

Recyclable steel, filled with biodegradable vegetable oil, can be powered by renewables: the Yali.



soft
heat^{2.0}

PANEL RADIATORS

YOUR CUSTOMERS WILL FALL
IN LOVE WITH SOFTHEAT 2.0



YALI DIGITAL
YALI PARADA
YALI RAMO
YALI COMFORT
YALI GV
KABA



YALI DIGITAL

Yali Digital is a modernly designed panel radiator with a series of new features. Ideal for any room in the house, the Yali Digital offers superb temperature controllability, with a clear visual display discreetly housed on the side panel. Like many of the Yali range, the Yali Digital has a touch-screen control as an option and can easily be connected to WiFi. The touch-screen control is future-proof and easily upgraded when new functions become available. For double-panelled Yali radiators, the panels can be controlled in parallel (together at the same time) or in sequence (cascade), where both radiant and convective heat is used. This is most useful with a large difference between the set and measured room temperature. When a lot of power is required to bridge that temperature gap, the combination of heat types makes a real difference. When the temperature difference is small, only the front panel is required. This involves more radiant heat from the front, and less heat lost to the rear wall, since the inactive backpanel functions like a heat-screen.

TECHNICAL DATA

GENERAL

- Oil-filled radiator with vegetable oil.
- Frost protection (0,5-10°C)
- Made from strong steel of the highest quality.
- Hard-wearing white epoxy paint (RAL 9016).
- Can be connected to wired external programmer, wireless programmer or central controller with WiFi facilities
- Simple to use, rapid heating and even temperature across the entire surface.
- System for locking the mounting device.
- Quiet, odour-free and non-allergenic.
- The radiators have convector plates and are for right-hand mounting

THERMOSTAT

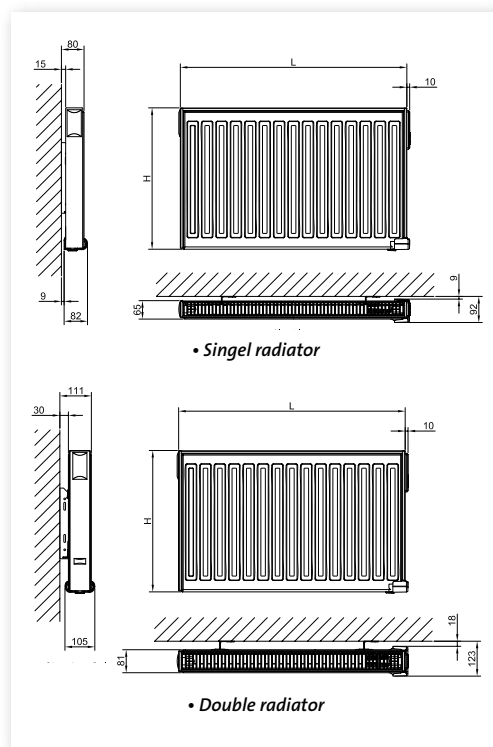
- Advanced thermostat with precise regulation. Several temperature reduction options.
- Adjustable maximum surface temperature of 90°C (normal) and 75 or 60°C (reduced). The 75 and 60°C modes reduce the output of the radiator to 70 and 55% for a single and 90 and 80% for a double panel.
- Sequential temperature control of the front and rear panel.
- Window open function.
- Lockable thermostat unit.
- Thermostat guard made from flame retardant and UV resistant ABS-PC V0.
- The temperature reduction can be activated manually or with a separate control wire connected to a central timer.
- The radiator is supplied with a cable with a “plug-in contact” for connecting the radiator and the enclosed wall outlet box.
- Can be controlled from other radiators or control other radiators in a master-slave configuration.

ACCESSORIES

- Can be supplied with a plug (230 V) instead of a wall outlet box. When ordering, use the same model designation as the standard radiators, but with the supplement P (YALI D P). The central temperature reduction and master-slave option are not available in this version.
- Splash proof cover for IP 44.

PACKAGE

- Delivered with wall brackets and screws for permanent installation.
- The radiators have convector plates and are to be mounted with the thermostat on the right hand side.



HEIGHT 300 MM

Model	Output W	Height mm	Length mm	Voltage V	Weight Kg
YALI D C 03 040 11 230 03 1	250	300	400	230	5
YALI D C 03 040 11 400 03 1	250	300	400	400	5
YALI D C 03 080 11 230 05 1	500	300	800	230	9
YALI D C 03 080 11 400 05 1	500	300	800	400	9
YALI D C 03 050 21 230 05 1	500	300	500	230	10
YALI D C 03 050 21 400 05 1	500	300	500	400	10
YALI D C 03 110 11 230 08 1	750	300	1 100	230	14
YALI D C 03 110 11 400 08 1	750	300	1 100	400	14
YALI D C 03 080 21 230 08 1	750	300	800	230	15
YALI D C 03 080 21 400 08 1	750	300	800	400	15
YALI D C 03 150 11 230 10 1	1 000	300	1 500	230	10
YALI D C 03 150 11 400 10 1	1 000	300	1 500	400	10
YALI D C 03 100 21 230 10 1	1 000	300	1 000	230	19
YALI D C 03 100 21 400 10 1	1 000	300	1 000	400	19
YALI D C 03 130 21 230 13 1	1 250	300	1 300	230	24
YALI D C 03 130 21 400 13 1	1 250	300	1 300	400	24
YALI D C 03 160 21 230 15 1	1 500	300	1 600	230	30
YALI D C 03 160 21 400 15 1	1 500	300	1 600	400	30
YALI D C 03 200 21 230 20 1	2 000	300	2 000	230	37
YALI D C 03 200 21 400 20 1	2 000	300	2 000	400	37

HEIGHT 500 MM

Model	Output W	Height mm	Length mm	Voltage V	Weight Kg
YALI D C 05 055 11 230 05 1	500	500	550	230	10
YALI D C 05 055 11 400 05 1	500	500	550	400	10
YALI D C 05 040 21 230 05 1	500	500	400	230	12
YALI D C 05 040 21 400 05 1	500	500	400	400	12
YALI D C 05 080 11 230 08 1	750	500	800	230	14
YALI D C 05 080 11 400 08 1	750	500	800	400	14
YALI D C 05 050 21 230 08 1	750	500	500	230	15
YALI D C 05 050 21 400 08 1	750	500	500	400	15
YALI D C 05 105 11 230 10 1	1 000	500	1 050	230	19
YALI D C 05 105 11 400 10 1	1 000	500	1 050	400	19
YALI D C 05 065 21 230 10 1	1 000	500	650	230	20
YALI D C 05 065 21 400 10 1	1 000	500	650	400	20
YALI D C 05 130 11 230 13 1	1 250	500	1 300	230	23
YALI D C 05 130 11 400 13 1	1 250	500	1 300	400	23
YALI D C 05 080 21 230 13 1	1 250	500	800	230	24
YALI D C 05 080 21 400 13 1	1 250	500	800	400	24
YALI D C 05 095 21 230 15 1	1 500	500	950	230	28
YALI D C 05 095 21 400 15 1	1 500	500	950	400	28
YALI D C 05 125 21 230 20 1	2 000	500	1 250	230	37
YALI D C 05 125 21 400 20 1	2 000	500	1 250	400	37



Splash proof cover
for IP 44.



- Can be connected to internet (Smart phone, tablet, computer) via router.
- Can be connected to GSM module.
- Change operation modes and temperature.
- Collect data (consumption..)



IP 21*



* IP 44 with the splash proof cover or plug.



YALI PARADA

Digital controls and bright digital display make the Yali Parada a simple yet powerful addition to any home. Fully programmable temperature range, operating modes and surface temperature brings flexibility and ease of use within the reach of everyone. Enjoy the smooth panel design of this sleek oil-filled radiator from LVI. Like all the Yali range, the Yali Parada is designed with two independent heating panels, type 22, front and rear, which offer a more precise and economical way to heat the home. The Yali Parada is also available in a single panel variety, type 11. Yali Parada has the same intelligent features as the Yali Digital: open window function and a digital thermostat that can be easily connected to wired systems, wireless systems or WiFi. This radiator also offers separate temperature control of front and rear panels for better energy efficiency and adjustable maximum surface temperature for example child safety feature.

TECHNICAL DATA

GENERAL

- Oil-filled radiator with vegetable oil.
- Frost protection (0,5-10°C)
- Made from strong steel of the highest quality.
- Hard-wearing white epoxy paint (RAL 9016).
- Can be connected to wired external programmer, wireless programmer or central controller with WiFi facilities
- Simple to use, rapid heating and even temperature across the entire surface.
- System for locking the mounting device.
- Quiet, odour-free and non-allergenic.
- The radiators have convector plates and are for right-hand mounting

THERMOSTAT

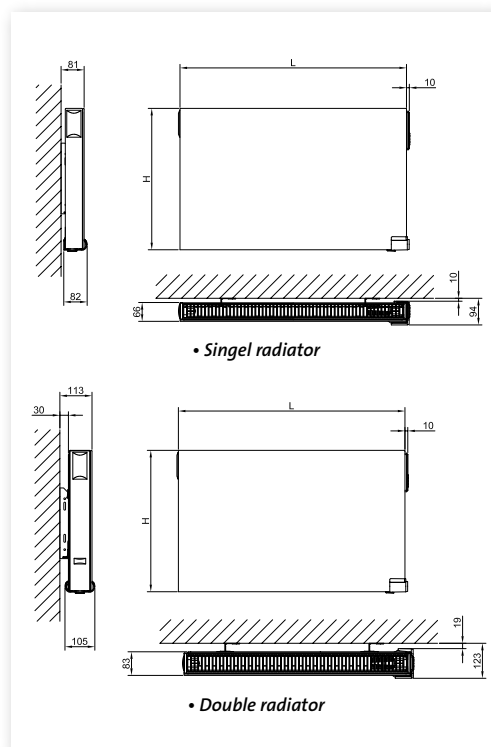
- Advanced thermostat with precise regulation. Several temperature reduction options.
- Adjustable maximum surface temperature of 90°C (normal) and 75 or 60°C (reduced). The 75 and 60°C modes reduce the output of the radiator to 70 and 55% for a single and 90 and 80% for a double panel.
- Sequential temperature control of the front and rear panel.
- Window open function.
- Lockable thermostat unit.
- Thermostat guard made from flame retardant and UV resistant ABS-PC V0.
- The temperature reduction can be activated manually or with a separate control wire connected to a central timer.
- The radiator is supplied with a cable with a “plug-in contact” for connecting the radiator and the enclosed wall outlet box.
- Can be controlled from other radiators or control other radiators in a master-slave configuration.

ACCESSORIES

- Splash proof cover for IP 44.

PACKAGE

- Delivered with wall brackets and screws for permanent installation.
- The radiators have convector plates and are to be mounted with the thermostat on the right hand side.



HEIGHT 300 MM

Model	Output W	Height mm	Length mm	Voltage V	Weight Kg
YALI P C 03 040 11 230 03 1	250	300	400	230	6
YALI P C 03 040 11 400 03 1	250	300	400	400	6
YALI P C 03 080 11 230 05 1	500	300	800	230	11
YALI P C 03 080 11 400 05 1	500	300	800	400	11
YALI P C 03 050 21 230 05 1	500	300	500	230	11
YALI P C 03 050 21 400 05 1	500	300	500	400	11
YALI P C 03 110 11 230 08 1	750	300	1100	230	17
YALI P C 03 110 11 400 08 1	750	300	1100	400	17
YALI P C 03 080 21 230 08 1	750	300	800	230	17
YALI P C 03 080 21 400 08 1	750	300	800	400	17
YALI P C 03 150 11 230 10 1	1000	300	1500	230	14
YALI P C 03 150 11 400 10 1	1000	300	1500	400	14
YALI P C 03 100 21 230 10 1	1000	300	1000	230	22
YALI P C 03 100 21 400 10 1	1000	300	1000	400	22
YALI P C 03 130 21 230 13 1	1250	300	1300	230	27
YALI P C 03 130 21 400 13 1	1250	300	1300	400	27
YALI P C 03 160 21 230 15 1	1500	300	1600	230	34
YALI P C 03 160 21 400 15 1	1500	300	1600	400	34
YALI P C 03 200 21 230 20 1	2000	300	2000	230	42
YALI P C 03 200 21 400 20 1	2000	300	2000	400	42

HEIGHT 500 MM

Model	Output W	Height mm	Length mm	Voltage V	Weight Kg
YALI P C 05 055 11 230 05 1	500	500	550	230	12
YALI P C 05 055 11 400 05 1	500	500	550	400	12
YALI P C 05 040 21 230 05 1	500	500	400	230	14
YALI P C 05 040 21 400 05 1	500	500	400	400	14
YALI P C 05 080 11 230 08 1	750	500	800	230	17
YALI P C 05 080 11 400 08 1	750	500	800	400	17
YALI P C 05 050 21 230 08 1	750	500	500	230	17
YALI P C 05 050 21 400 08 1	750	500	500	400	17
YALI P C 05 105 11 230 10 1	1000	500	1050	230	23
YALI P C 05 105 11 400 10 1	1000	500	1050	400	23
YALI P C 05 065 21 230 10 1	1000	500	650	230	22
YALI P C 05 065 21 400 10 1	1000	500	650	400	22
YALI P C 05 130 11 230 13 1	1250	500	1300	230	29
YALI P C 05 130 11 400 13 1	1250	500	1300	400	29
YALI P C 05 080 21 230 13 1	1250	500	800	230	27
YALI P C 05 080 21 400 13 1	1250	500	800	400	27
YALI P C 05 095 21 230 15 1	1500	500	950	230	32
YALI P C 05 095 21 400 15 1	1500	500	950	400	32
YALI P C 05 125 21 230 20 1	2000	500	1250	230	42
YALI P C 05 125 21 400 20 1	2000	500	1250	400	42



Splash proof cover
for IP 44.



- Can be connected to internet (Smart phone, tablet, computer) via router.
- Can be connected to GSM module.
- Change operation modes and temperature.
- Collect data (consumption..)



IP 21*



* IP 44 with the splash proof cover.



YALI RAMO

The slimline Yali Ramo has an attractive sectioned front, with straight side panels and a decorative upper grid. The smooth subtlety of the Yali series is showcased to the full in Yali Ramo - an exquisitely designed flat fronted radiator graced by a succession of distinctive shallow grooves. Like all systems in the series, comfortable, radiant warmth is provided by environmentally friendly vegetable oil. Yali Ramo has the same intelligent features as the Yali Digital: open window function and a digital thermostat that can be easily connected to wired systems, wireless systems or WiFi. This radiator also offers separate temperature control of front and rear panels for better energy efficiency and adjustable maximum surface temperature for example child safety feature.

TECHNICAL DATA

GENERAL

- Oil-filled radiator with vegetable oil.
- Frost protection (0,5-10°C)
- Made from strong steel of the highest quality.
- Hard-wearing white epoxy paint (RAL 9016).
- Can be connected to wired external programmer, wireless programmer or central controller with WiFi facilities
- Simple to use, rapid heating and even temperature across the entire surface.
- System for locking the mounting device.
- Quiet, odour-free and non-allergenic.
- The radiators have convector plates and are for right-hand mounting

THERMOSTAT

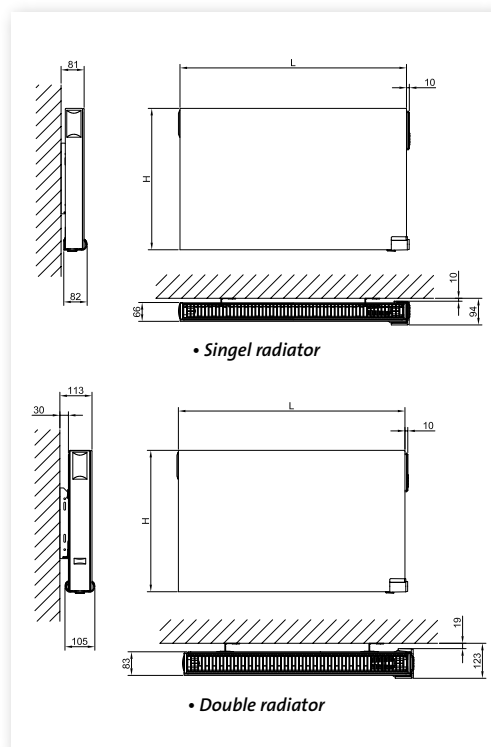
- Advanced thermostat with precise regulation. Several temperature reduction options.
- Adjustable maximum surface temperature of 90°C (normal) and 75 or 60°C (reduced). The 75 and 60°C modes reduce the output of the radiator to 70 and 55% for a single and 90 and 80% for a double panel.
- Sequential temperature control of the front and rear panel.
- Window open function.
- Lockable thermostat unit.
- Thermostat guard made from flame retardant and UV resistant ABS-PC V0.
- The temperature reduction can be activated manually or with a separate control wire connected to a central timer.
- The radiator is supplied with a cable with a "plug-in contact" for connecting the radiator and the enclosed wall outlet box.
- Can be controlled from other radiators or control other radiators in a master-slave configuration.

ACCESSORIES

- Splash proof cover for IP 44.

PACKAGE

- Delivered with wall brackets and screws for permanent installation.
- The radiators have convector plates and are to be mounted with the thermostat on the right hand side.



HEIGHT 300 MM

Model	Output W	Height mm	Length mm	Voltage V	Weight Kg
YALI R C 03 040 11 230 03 1	250	300	400	230	6
YALI R C 03 040 11 400 03 1	250	300	400	400	6
YALI R C 03 080 11 230 05 1	500	300	800	230	11
YALI R C 03 080 11 400 05 1	500	300	800	400	11
YALI R C 03 050 21 230 05 1	500	300	500	230	11
YALI R C 03 050 21 400 05 1	500	300	500	400	11
YALI R C 03 110 11 230 08 1	750	300	1100	230	17
YALI R C 03 110 11 400 08 1	750	300	1100	400	17
YALI R C 03 080 21 230 08 1	750	300	800	230	17
YALI R C 03 080 21 400 08 1	750	300	800	400	17
YALI R C 03 150 11 230 10 1	1000	300	1500	230	14
YALI R C 03 150 11 400 10 1	1000	300	1500	400	14
YALI R C 03 100 21 230 10 1	1000	300	1000	230	22
YALI R C 03 100 21 400 10 1	1000	300	1000	400	22
YALI R C 03 130 21 230 13 1	1250	300	1300	230	27
YALI R C 03 130 21 400 13 1	1250	300	1300	400	27
YALI R C 03 160 21 230 15 1	1500	300	1600	230	34
YALI R C 03 160 21 400 15 1	1500	300	1600	400	34
YALI R C 03 200 21 230 20 1	2000	300	2000	230	42
YALI R C 03 200 21 400 20 1	2000	300	2000	400	42

HEIGHT 500 MM

Model	Output W	Height mm	Length mm	Voltage V	Weight Kg
YALI R C 05 055 11 230 05 1	500	500	550	230	12
YALI R C 05 055 11 400 05 1	500	500	550	400	12
YALI R C 05 040 21 230 05 1	500	500	400	230	14
YALI R C 05 040 21 400 05 1	500	500	400	400	14
YALI R C 05 080 11 230 08 1	750	500	800	230	17
YALI R C 05 080 11 400 08 1	750	500	800	400	17
YALI R C 05 050 21 230 08 1	750	500	500	230	17
YALI R C 05 050 21 400 08 1	750	500	500	400	17
YALI R C 05 105 11 230 10 1	1000	500	1050	230	23
YALI R C 05 105 11 400 10 1	1000	500	1050	400	23
YALI R C 05 065 21 230 10 1	1000	500	650	230	22
YALI R C 05 065 21 400 10 1	1000	500	650	400	22
YALI R C 05 130 11 230 13 1	1250	500	1300	230	29
YALI R C 05 130 11 400 13 1	1250	500	1300	400	29
YALI R C 05 080 21 230 13 1	1250	500	800	230	27
YALI R C 05 080 21 400 13 1	1250	500	800	400	27
YALI R C 05 095 21 230 15 1	1500	500	950	230	32
YALI R C 05 095 21 400 15 1	1500	500	950	400	32
YALI R C 05 125 21 230 20 1	2000	500	1250	230	42
YALI R C 05 125 21 400 20 1	2000	500	1250	400	42



Splash proof cover
for IP 44.



- Can be connected to internet (Smart phone, tablet, computer) via router.
- Can be connected to GSM module.
- Change operation modes and temperature.
- Collect data (consumption..)



IP 21*



* IP 44 with the splash proof cover.



YALI COMFORT

For new-build and renovations alike, the Yali Comfort is a great mid-range option for heating the family home. Electronic thermostat with analogue controls and temperature / operating mode dials, give this standard electric radiator a simple range of functions that are easily controlled by the user. Front temperature can be set and the unit can be wired to an external clock for timed operation.

TECHNICAL DATA

GENERAL

- Oil-filled radiator with vegetable oil.
- Frost protection (7°C)
- Made from strong steel of the highest quality.
- Hard-wearing white epoxy paint (RAL 9016).
- Can be connected to wired external programmer.
- Simple to use, rapid heating and even temperature across the entire surface.
- System for locking the mounting device.
- Quiet, odour-free and non-allergenic.
- The radiators have convector plates and are for right-hand mounting

THERMOSTAT

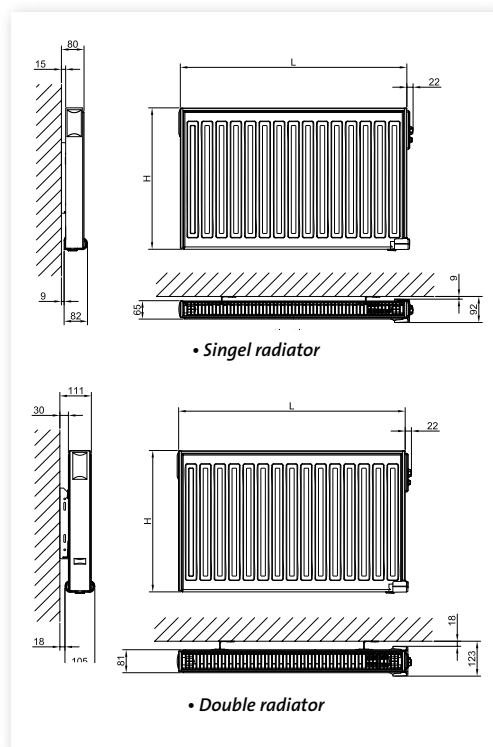
- Advanced thermostat with precise regulation. Several temperature reduction options: 3.5°C (manual) or freely adjustable 0-15°C (via external control system).
- Adjustable maximum surface temperature to 75 or 60°C. The 75 and 60°C modes reduce the output of the radiator to 70 and 55% for a single and 90 and 80% for a double panel.
- Thermostat guard made from flame retardant and UV resistant ABS-PC V0.
- The temperature reduction can be activated manually or with a separate control wire connected to a central timer.
- The radiator is supplied with a cable with a "plug-in contact" for connecting the radiator and the enclosed wall outlet box.
- Can be controlled from other radiators or control other radiators in a master-slave configuration.

ACCESSORIES

- Can be supplied with a plug (230 V) instead of a wall outlet box. When ordering, use the same model designation as the standard radiators, but with the supplement P (YALI D P). The central temperature reduction and master-slave option are not available in this version.
- Splash proof cover for IP 44.

PACKAGE

- Delivered with wall brackets and screws for permanent installation.
- The radiators have convector plates and are to be mounted with the thermostat on the right hand side.



HEIGHT 300 MM

Model	Output W	Height mm	Length mm	Voltage V	Weight Kg
YALI C C 03 040 11 230 03 1	250	300	400	230	5
YALI C C 03 040 11 400 03 1	250	300	400	400	5
YALI C C 03 080 11 230 05 1	500	300	800	230	9
YALI C C 03 080 11 400 05 1	500	300	800	400	9
YALI C C 03 050 21 230 05 1	500	300	500	230	10
YALI C C 03 050 21 400 05 1	500	300	500	400	10
YALI C C 03 110 11 230 08 1	750	300	1 100	230	14
YALI C C 03 110 11 400 08 1	750	300	1 100	400	14
YALI C C 03 080 21 230 08 1	750	300	800	230	15
YALI C C 03 080 21 400 08 1	750	300	800	400	15
YALI C C 03 100 21 230 10 1	1 000	300	1 000	230	19
YALI C C 03 100 21 400 10 1	1 000	300	1 000	400	19
YALI C C 03 130 21 230 13 1	1 250	300	1 300	230	24
YALI C C 03 130 21 400 13 1	1 250	300	1 300	400	24

HEIGHT 500 MM

Model	Output W	Height mm	Length mm	Voltage V	Weight Kg
YALI C C 05 055 11 230 05 1	500	500	550	230	10
YALI C C 05 055 11 400 05 1	500	500	550	400	10
YALI C C 05 040 21 230 05 1	500	500	400	230	12
YALI C C 05 040 21 400 05 1	500	500	400	400	12
YALI C C 05 080 11 230 08 1	750	500	800	230	14
YALI C C 05 080 11 400 08 1	750	500	800	400	14
YALI C C 05 050 21 230 08 1	750	500	500	230	15
YALI C C 05 050 21 400 08 1	750	500	500	400	15
YALI C C 05 105 11 230 10 1	1 000	500	1 050	230	19
YALI C C 05 105 11 400 10 1	1 000	500	1 050	400	19
YALI C C 05 065 21 230 10 1	1 000	500	650	230	20
YALI C C 05 065 21 400 10 1	1 000	500	650	400	20
YALI C C 05 130 11 230 13 1	1 250	500	1300	230	23
YALI C C 05 130 11 400 13 1	1 250	500	1300	400	23
YALI C C 05 080 21 230 13 1	1 250	500	800	230	24
YALI C C 05 080 21 400 13 1	1 250	500	800	400	24
YALI C C 05 095 21 230 15 1	1 500	500	950	230	28
YALI C C 05 095 21 400 15 1	1 500	500	950	400	28



Splash proof cover
for IP 44.



IP 21*



* IP 44 with the splash proof cover or plug.



YALI GV

The new vertical Yali GV sits, as the name says, vertically on the wall. Perfect when you do not have wall space below large windows or when you want to save wall space and utilize vertical wall surfaces. The electronic thermostat with digital display is wall mounted, wireless and programmable in six fixed modes (auto, comfort, temperature reduction, temperature regulation, frost protection and stop). You can control one or more Yali GV radiators in the same room with just one remote.

TECHNICAL DATA

- GENERAL**
- Oil-filled radiator with vegetable oil.
 - Made from strong steel of the highest quality.
 - Hard-wearing white epoxy paint (White RAL 9016).
 - Quiet, odour-free and non-allergenic.
- THERMOSTAT**
- Electronic thermostat with digital display. Wireless and programmable in six fixed positions (auto, comfort, temperature reduction, temperature regulation, frost protection and stop) with wall-mounted thermostat. You can control one or more Yali GV, Langila, Sanbe, Epok and Tamari radiators in the same room with just one remote control.
- ACCESSORIES**
- Splash proof cover for an upgrade to IP44.
- PACKAGE**
- Wall mounts with and without brackets



IP 32*



* IP 44 with the splash proof cover.

HEIGHT 1800 MM

Model	Output W	Width mm	Height mm	Voltage V	Weight Kg
YAL GV 18 03 230 08 2	750	304	1 800	230	27
YAL GV 18 03 400 08 2	750	304	1 800	400	27
YAL GV 18 05 230 10 2	1 000	454	1 800	230	35
YAL GV 18 05 400 10 2	1 000	454	1 800	400	35
YAL GV 18 06 230 13 2	1 250	604	1 800	230	44
YAL GV 18 06 400 13 2	1 250	604	1 800	400	44

HEIGHT 1950 MM

Model	Output W	Width mm	Height mm	Voltage V	Weight Kg
YAL GV 20 06 230 15 2	1 500	604	1 950	230	49
YAL GV 20 06 400 15 2	1 500	604	1 950	400	49

HEIGHT 2100 MM

Model	Output W	Width mm	Height mm	Voltage V	Weight Kg
YAL GV 21 06 230 18 2	1 750	604	2 100	230	54
YAL GV 21 06 400 18 2	1 750	604	2 100	400	54
YAL GV 21 08 230 20 2	2 000	754	2 100	230	64
YAL GV 21 08 400 20 2	2 000	754	2 100	400	64

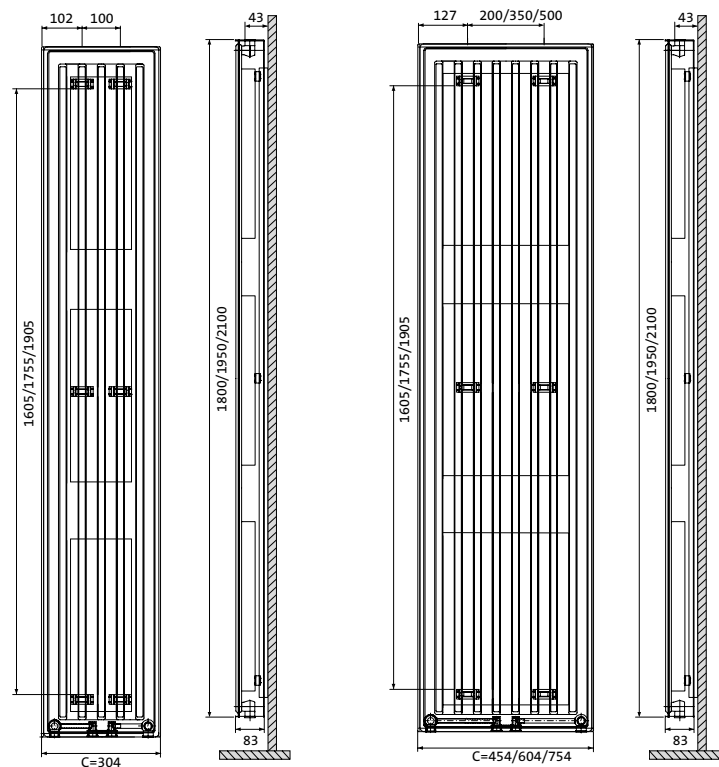


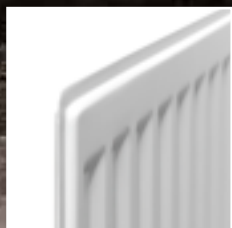
Splash proof cover for IP 44.



Wireless remote

- Wall-mounted electronic thermostat (wireless) with a digital display.



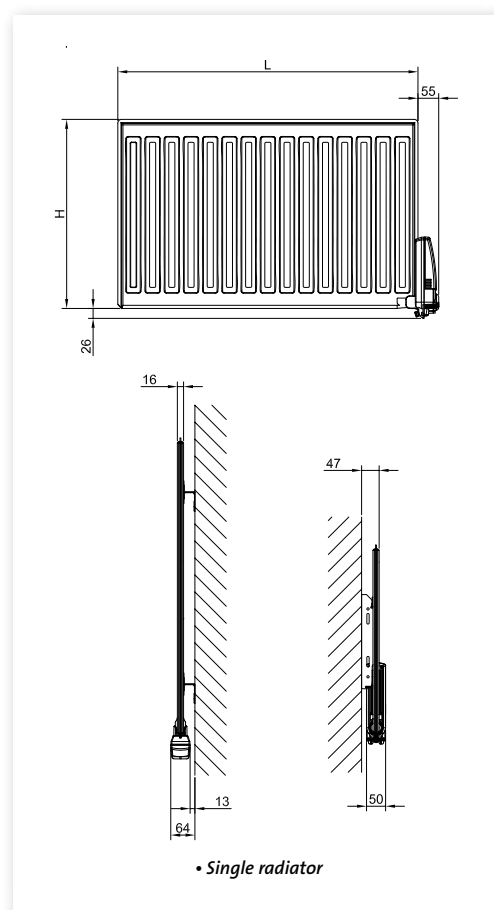


KABA

The Kaba is a perfect supplemental heat source for those spaces in the home used infrequently. The garage or workroom, for instance, places where you might not spend a lot of time regularly, but when you do, you'd like it to be comfortable. The Kaba is built for function, and comes with foot brackets so it can be used as a mobile unit too. A simple temperature dial makes this a straightforward choice for those areas in the home that just need a little extra boost in warmth.

TECHNICAL DATA

- GENERAL**
- Oil-filled radiator with vegetable oil.
 - Frost protection.
 - Made from strong steel of the highest quality.
 - Hard-wearing white epoxy paint (White RAL 9016).
 - Simple to use, rapid heating and even temperature across the entire surface.
 - System for locking the mounting device.
 - Quiet, odour-free and non-allergenic.
 - Can be wall-mounted or free standing with mains connection via plug.
- THERMOSTAT**
- Electronic thermostat with calibration option.
 - Lockable thermostat unit.
 - Thermostat guard made from impact-resistant polycarbonate.
- ACCESSORIES**
- Can be supplied with a plug.
When ordering, use the same model designation as the standard radiators, but with the supplement P (KABA P).
- PACKAGE**
- Delivered with wall brackets and screws for permanent installation.
 - Kaba P is also supplied with feet for free standing location.



HEIGHT 300 MM

Model	Output W	Height mm	Length mm	Voltage V	Weight Kg
KABA P 03 060 10 230 03 1	250	300	600	230	5
KABA 3 03 060 10 400 03 1	250	300	600	400	5
KABA P 03 110 10 230 05 1	500	300	1100	230	9
KABA 3 03 110 10 400 05 1	500	300	1100	400	9

HEIGHT 500 MM

Model	Output W	Height mm	Length mm	Voltage V	Weight Kg
KABA P 05 105 10 230 08 1	750	500	1050	230	14
KABA 3 05 105 10 400 08 1	800	500	1050	400	14
KABA P 05 140 10 230 10 1	1000	500	1400	230	18
KABA 3 05 140 10 400 10 1	1000	500	1400	400	18
KABA P 05 175 10 230 13 1	1250	500	1750	230	23
KABA 3 05 175 10 400 13 1	1250	500	1750	400	23



IP 44





TEMPCO CONTROL SYSTEM

TAKE CONTROL OF YOUR HEATING

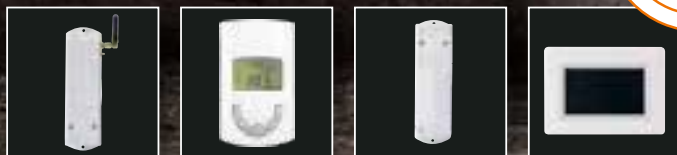
CONTROLLER (TEMPCO GSM)

CLOCK (TEMPCO CENTRAL CLOCK)

RECEIVER (TEMPCO CONNECT)

WIRELESS TOUCHSCREEN (TEMPCO TOUCH E3)





STAY CLOSE TO WARMTH WITH **WI-FI CONTROLLABILITY**

Your customers can experience a revolution in comfort convenience with new Yali wi-fi controllability. No more returning to a cold house when they can control the Yali Digital, Parada or Ramo remotely. When connected to a wireless central programmer, these Yali models can be effortlessly controlled via any web browser. Use a Smartphone to have any home blissfully warm before walking through the door. This innovation in indoor heating means that your customers have the added reassurance of controllable comfort, only from LVI .

TECHNICAL DATA

GSM

- Easy to install and control with SMS
- Can be installed wherever there is GSM coverage
- GSM uses a voltage adapter for 230V mains power.
- Control via conductor to the radiator control signal input.
- Can be connected via conductor to the clock for wireless communication*
- GSM module output relay can handle 250 V/5 A. 50 LVI radiators can be connected without problem. In order to protect the GSM module, the output relay can be connected via contacts to radiators or other products.
- A SIM card from any operator may be used. Size used: Mini-SIM (not included)
- Function: Sets the heating system to a lower temperature or comfort mode without being there.
- The module sends a warning SMS when there is an interruption in power longer than 3 minutes.
- Possible to get information on indoor or outdoor temperatures via SMS query.
- Receives information on fire alarms and burglar alarms via SMS. Does not function in the event of a power outage – no battery back-up for these functions.

CLOCK

- Easy to install and to program
- Saves energy by maintaining a lower temperature when no one is in the house.
- The clock is battery-operated - 3 V with 2 AA batteries.
- Can be combined with the GSM module.
- Function: Weekly program with up to four zones for setting the heating system to comfort, reduced (night) temperature, anti-freeze or off mode.
- Communicates directly with Epok, Tamari, Yali GV, Sanbe, Langila, Yali Digital, Parada and Ramo. Langila, Yali Comfort and Milo require Tempco Connect; these radiators only offer comfort and reduced temperature modes.

RECEIVER

- Allows clock control of Yali Comfort and Milo (not Kaba).
- Tempco Connect with zero is used for: 230 V radiators and 400 V radiators where zero is pulled out.
- Tempco Connect with zero is used for: 400 V radiators where zero is not pulled out.
- Multiple radiators (however, no more than 10) can be connected to a Tempco Connect unit.

WIRELESS TOUCHSCREEN

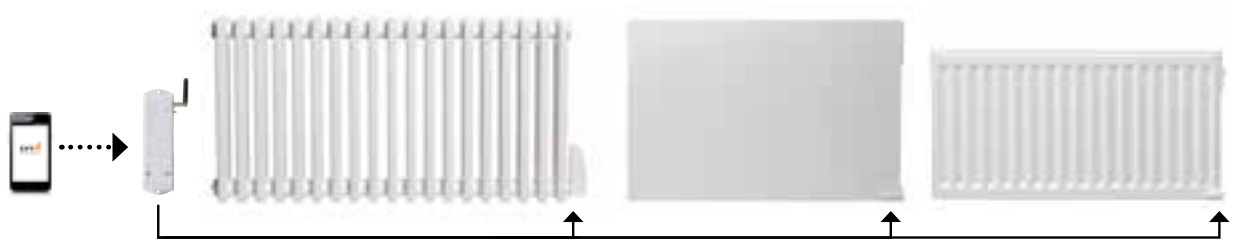
- Can be connected to internet (Smart phone, tablet, computer) via router.
- Can be connected to GSM module.
- Change operation modes and temperature.
- Collect data (consumption..)

Model	Height mm	Width mm	Voltage V	Description
TEMPCO TOUCH E3	-	-	-	Wireless Touchscreen (WiFi)
TEMPCO GSM NC EH	170	50	230	Controller
TEMPCO CLOCK RF EH	130	75	3	Central clock
TEMPCO CONNECT 1M RF	170	70	230	Receiver with zero
TEMPCO CONNECT 1M RF	170	70	400	Receiver without zero

* with Epok, Tamari, Yali GV, Sanbe, Langila , Yali Digital, Parada and Ramo. Yali Comfort and Milo require the Tempco Connect (extra radio signal receiver)

1. CONTROL WITH GSM

Wired temperature control to all radiators

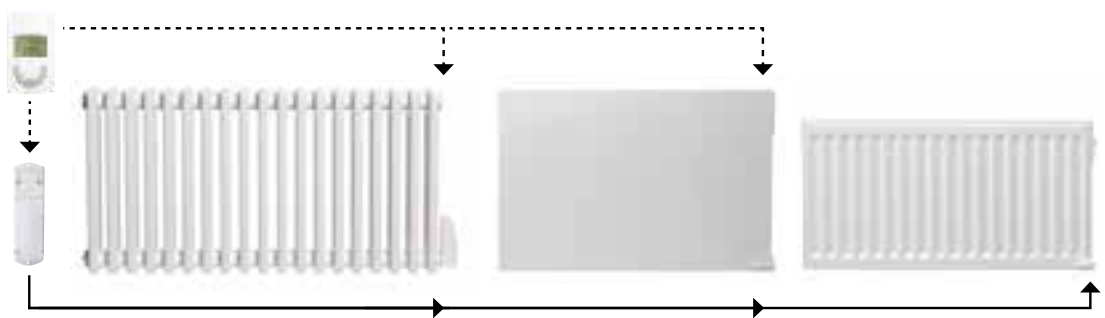


2. CONTROL WITH CLOCK

Temperature control with weekly plan.

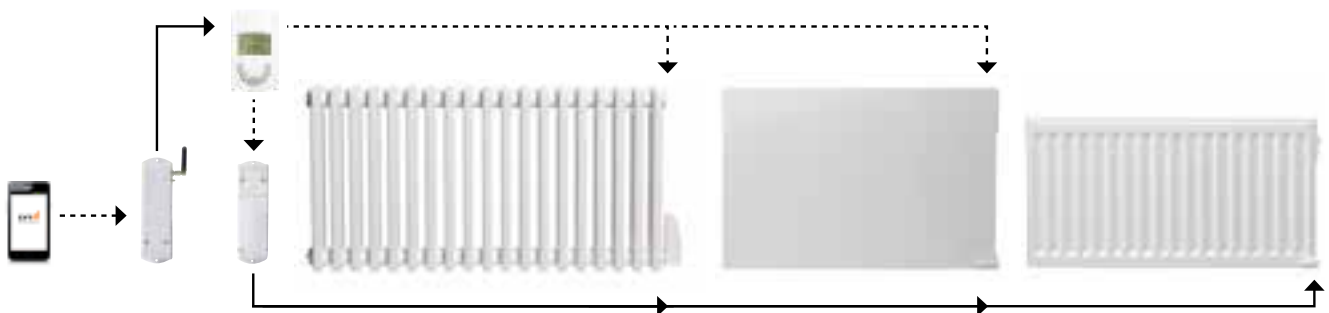
Wireless directly to Epok, Tamari, Yali GV, Langila, Sanbe and to Yali Digital, Parada and Ramo.

Wireless to Tempco Connect that is plugged into the wall socket at Yali Comfort and Milo (not Kaba).



3. CONTROL WITH GSM AND CLOCK

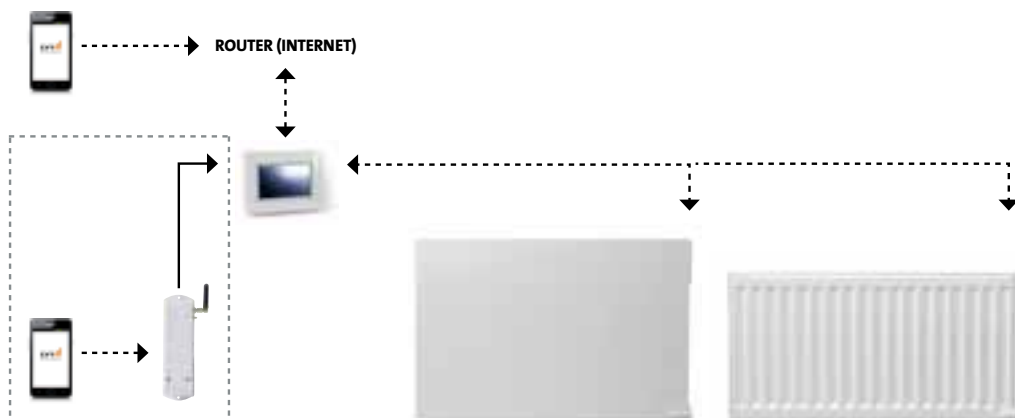
The clock controls the zones according to their schedules (in the simplest case, all the radiators in all zones set to comfort mode). Unless GSM module sends a signal to all the radiators to be in reduced mode.



4. CONTROL WITH WIRELES TOUCHSCREEN (WiFi)

Wireless controll of operation modes and temperature via the touchscreen (WiFi) or web browser. Collect data (consumption).

Wireless directly to Yali Digital, Parada and Ramo. You activate the temperature control, described in paragraph 3, via GSM.





DECORATIVE RADIATORS

FUNCTIONAL BEAUTY

EPOK H
EPOK V
TAMARI H
TAMARI V
SANBE
LANGILA
MILO H
MILO V



EPOK H

The retro design of the Epok H makes it perfect for both contemporary and traditional interiors. It also disguises the very latest in heating technology, including wireless temperature regulation from the wall-mounted control box for easy access and for control of one or more radiators in the same room. The columns increase this radiator's surface area, maximising its radiation capacity.

TECHNICAL DATA

- GENERAL**
- Electric, liquid-filled column radiator.
 - Laser-welded steel.
 - The radiator columns are 50 mm wide.
 - Hard-wearing white epoxy paint (White RAL 9016).
 - Quiet, odour-free and non-allergenic.
- THERMOSTAT**
- Electronic thermostat with digital display. Wireless and programmable in six fixed positions (auto, comfort, temperature reduction, temperature regulation, frost protection and stop) with wall-mounted thermostat. You can control one or more Yali GV, Langila, Sanbe, Epok and Tamari radiators in the same room with just one remote control.
- PACKAGE**
- Wall mounts with and without brackets



IP 44

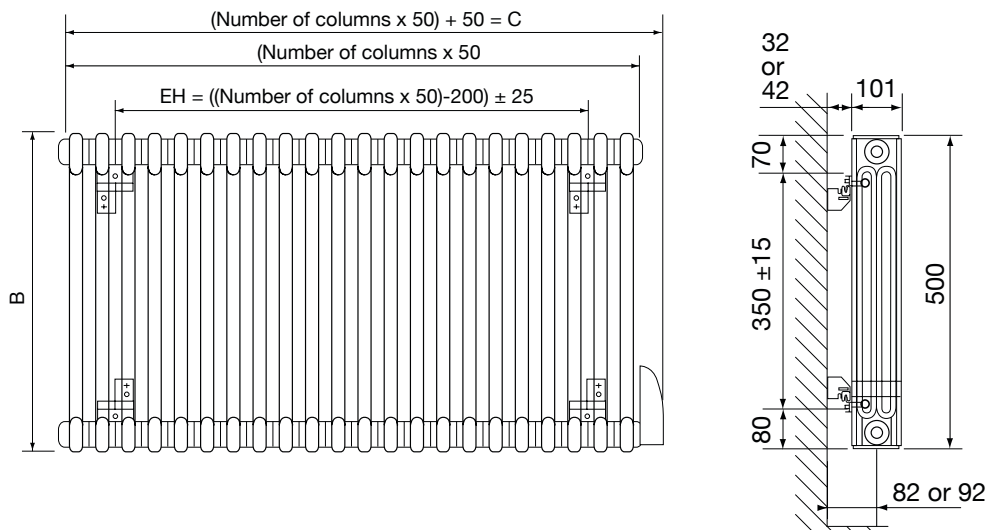


HEIGHT 500 MM

Model	Output W	Height mm	Lenght mm	Voltage V	Weight Kg
EPO 05 06 230 05 2	500	500	600	230	21
EPO 05 06 400 05 2	500	500	600	400	21
EPO 05 08 230 08 2	750	500	800	230	29
EPO 05 08 400 08 2	750	500	800	400	29
EPO 05 10 230 10 2	1 000	500	1 000	230	39
EPO 05 10 400 10 2	1 000	500	1 000	400	39
EPO 05 13 230 13 2	1 250	500	1 300	230	49
EPO 05 13 400 13 2	1 250	500	1 300	400	49



B = height
C = Lenght





EPOK V

The retro design of the Epok V makes it perfect for both contemporary and traditional interiors. It also disguises the very latest in heating technology, including wireless temperature regulation from the wall-hung control box for easy access and for control of one or more radiators in the same room. The columns increase this radiator's surface area, maximising its radiation capacity.

TECHNICAL DATA

- GENERAL**
- Electric, liquid-filled column radiator.
 - Laser-welded steel.
 - The radiator columns are 50 mm wide.
 - Hard-wearing white epoxy paint (White RAL 9016).
 - Quiet, odour-free and non-allergenic.
- THERMOSTAT**
- Electronic thermostat with digital display. Wireless and programmable in six fixed positions (auto, comfort, temperature reduction, temperature regulation, frost protection and stop) with wall-mounted thermostat. You can control one or more Yali GV, Langila, Sanbe, Epok and Tamari radiators in the same room with just one remote control.
- PACKAGE**
- Wall mounts with and without brackets



IP 44

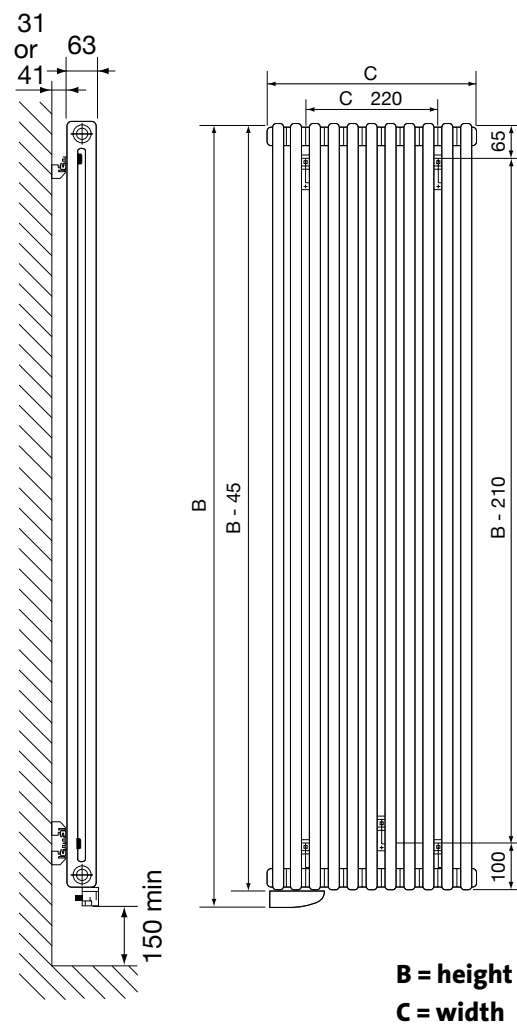


HEIGHT 1845 MM

Model	Output W	Width mm	Height mm	Voltage V	Weight Kg
EPO V 19 04 230 10 2	1 000	400	1 845	230	38
EPO V 19 04 400 10 2	1 000	400	1 845	400	38
EPO V 19 06 230 15 2	1 500	600	1 845	230	57
EPO V 19 06 400 15 2	1 500	600	1 845	400	57
EPO V 19 08 230 20 2	2 000	800	1 845	230	75
EPO V 19 08 400 20 2	2 000	800	1 845	400	75



2 ROWS





TAMARI H

The clean, sharp lines of the Tamari H produce a tangible sense of strength and beauty. This is a radiator that makes a bold visual impression without being fussy or overly ornate. The Tamari H is equipped with a wall-mounted wireless thermostat, which can control one or more radiators in several rooms using a single remote control.

TECHNICAL DATA

- GENERAL**
- Electric, liquid-filled radiator.
 - Made from strong steel of the highest quality. Flat sections.
 - Hard-wearing white epoxy paint (White RAL 9016).
 - Quiet, odour-free and non-allergenic.
- THERMOSTAT**
- Electronic thermostat with digital display. Wireless and programmable in six fixed positions (auto, comfort, temperature reduction, temperature regulation, frost protection and stop) with wall-mounted thermostat. You can control one or more Yali GV, Langila, Sanbe, Epok and Tamari radiators in the same room with just one remote control.
- ACCESSORIES**
- Splash proof cover for an upgrade to IP44.
- PACKAGE**
- Wall mounts with and without brackets



IP 32*



* IP 44 with the splash proof cover.

HEIGHT 500 MM

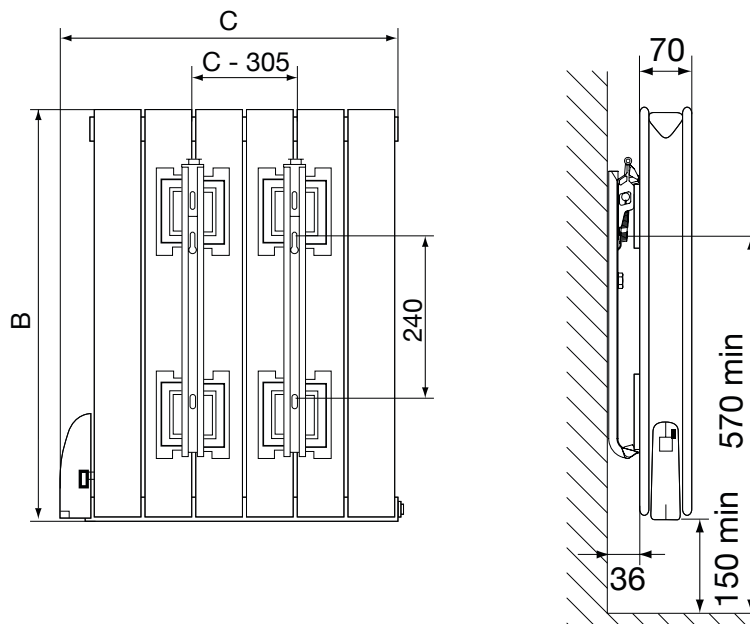
Model	Output W	Height mm	Lenght mm	Voltage V	Weight Kg
TAM H 05 06 230 05 2	500	500	558	230	19
TAM H 05 06 400 05 2	500	500	558	400	19
TAM H 05 08 230 08 2	750	500	783	230	27
TAM H 05 08 400 08 2	750	500	783	400	27
TAM H 05 11 230 10 2	1 000	500	1 083	230	38
TAM H 05 11 400 10 2	1 000	500	1 083	400	38
TAM H 05 14 230 13 2	1 250	500	1 308	230	46
TAM H 05 14 400 13 2	1 250	500	1 308	400	46



Splash proof cover for IP 44.



B = height
C = Lenght





TAMARI V

Tamari in a vertical version is a real space saver with widths as small as 455 mm. The clean, sharp lines of the Tamari V produce a tangible sense of strength and beauty. This is a radiator that makes a bold visual impression without being fussy or overly ornate. The Tamari H is equipped with a wall-mounted wireless thermostat, which can control one or more radiators in several rooms using a single remote control.

TECHNICAL DATA

- GENERAL**
- Electric, liquid-filled radiator.
 - Made from strong steel of the highest quality. Flat sections.
 - Hard-wearing white epoxy paint (White RAL 9016).
 - Quiet, odour-free and non-allergenic.
- THERMOSTAT**
- Electronic thermostat with digital display. Wireless and programmable in six fixed positions (auto, comfort, temperature reduction, temperature regulation, frost protection and stop) with wall-mounted thermostat. You can control one or more Yali GV, Langila, Sanbe, Epok and Tamari radiators in the same room with just one remote control.
- ACCESSORIES**
- Splash proof cover for an upgrade to IP44.
- PACKAGE**
- Wall mounts with and without brackets



IP 32*



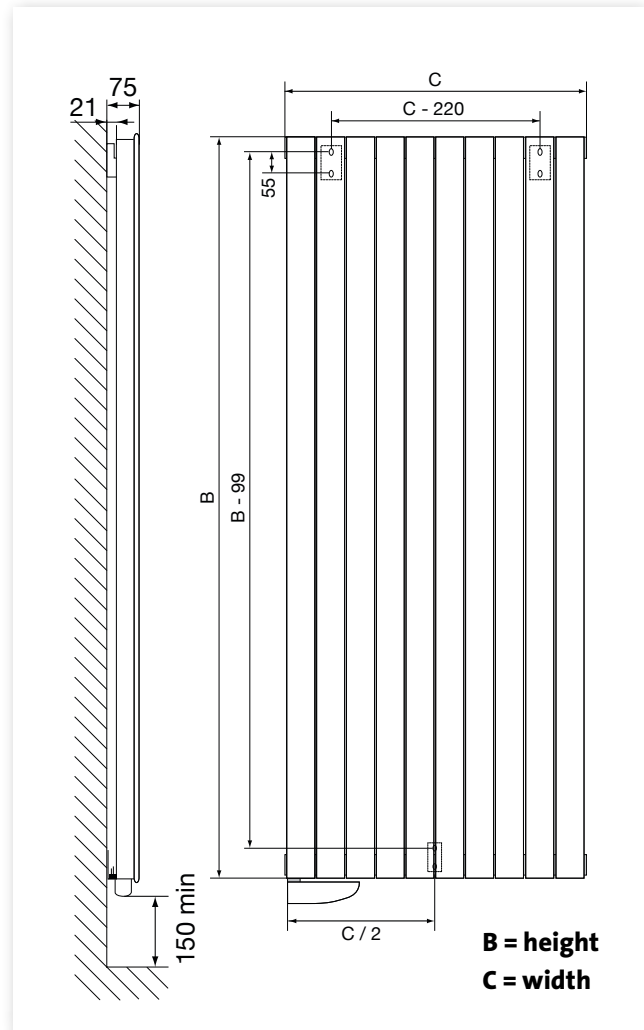
* IP 44 with the splash proof cover.

HEIGHT 1830 MM

Model	Output W	Width mm	Height mm	Voltage V	Weight Kg
TAM V 18 05 230 10 2	1 000	455	1 830	230	33
TAM V 18 05 400 10 2	1 000	455	1 830	400	33
TAM V 18 07 230 15 2	1 500	680	1 830	230	46
TAM V 18 07 400 15 2	1 500	680	1 830	400	46
TAM V 18 10 230 20 2	2 000	905	1 830	230	58
TAM V 18 10 400 20 2	2 000	905	1 830	400	58



Splash proof cover for IP 44.





LANGILA

Langila's clean, sharp lines give a tangible aesthetic and attractive feel. With an elegant front panel containing the very state of the art in heating technology, Langila makes a big impression in any home, without being ostentatious. Langila has straight lines, perfectly reflecting its bold form.

TECHNICAL DATA

- GENERAL**
- Oil-filled radiator with vegetable oil.
 - Made from strong steel of the highest quality.
 - Hard-wearing white epoxy paint (White RAL 9016).
 - Quiet, odour-free and non-allergenic.
- THERMOSTAT**
- Electronic thermostat with digital display. Wireless and programmable in six fixed positions (auto, comfort, temperature reduction, temperature regulation, frost protection and stop) with wall-mounted thermostat. You can control one or more Yali GV, Langila, Sanbe, Epok and Tamari radiators in the same room with just one remote control.
 - Splash proof cover for an upgrade to IP44.
- ACCESSORIES**
- Towel rail in stainless steel available as an accessory
- PACKAGE**
- Wall mounts with and without brackets



IP 32*



* IP 44 with the splash proof cover.

HEIGHT 1800 MM

Model	Output W	Width mm	Height mm	Voltage V	Weight Kg
LAN V 18 03 230 08 2	750	325	1 800	230	29
LAN V 18 03 400 08 2	750	325	1 800	400	29
LAN V 18 05 230 10 2	1 000	475	1 800	230	40
LAN V 18 05 400 10 2	1 000	475	1 800	400	40
LAN V 18 06 230 13 2	1 250	625	1 800	230	52
LAN V 18 06 400 13 2	1 250	625	1 800	400	52

HEIGHT 1950 MM

Model	Output W	Width mm	Height mm	Voltage V	Weight Kg
LAN V 20 06 230 15 2	1 500	625	1 950	230	57
LAN V 20 06 400 15 2	1 500	625	1 950	400	57

HEIGHT 2100 MM

Model	Output W	Width mm	Height mm	Voltage V	Weight Kg
LAN V 21 06 230 18 2	1 750	625	2 100	230	62
LAN V 21 06 400 18 2	1 750	625	2 100	400	62
LAN V 21 08 230 20 2	2 000	775	2 100	230	75
LAN V 21 08 400 20 2	2 000	775	2 100	400	75

LANGILA + TOWEL RAIL

Model	Width mm	Height mm	Colour	Description
LAN V TR 03	365	40	Stainless	For Langila width 325 mm
LAN V TR 05	515	40	Stainless	For Langila width 475 mm
LAN V TR 06	665	40	Stainless	For Langila width 625 mm
LAN V TR 08	815	40	Stainless	For Langila width 775 mm

ADD SOME COLOUR

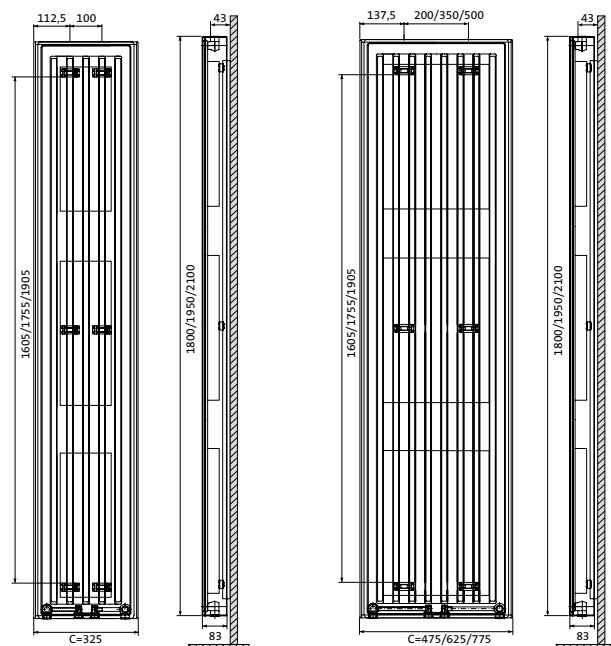
Langila is available in white RAL 9016 as standard, but also in 12 different metallic, anodic and mat colours.

ADDITIONAL PRICE +20%.

Contact your local LVI retailer for additional information.



• Towel rail for Langila





SANBE

Sanbes modern, clean lines and subtle curves bring a dash of style to any room, whether classic or modern. Its elegant front panel perfectly conceals advanced heating technology. Sanbe has rounded sides and radiates a pleasant warmth – you can rest assured that your home will feel comfortable!

TECHNICAL DATA

- GENERAL**
- Oil-filled radiator with vegetable oil.
 - Made from strong steel of the highest quality.
 - Hard-wearing white epoxy paint (White RAL 9016).
 - Quiet, odour-free and non-allergenic.
- THERMOSTAT**
- Electronic thermostat with digital display. Wireless and programmable in six fixed positions (auto, comfort, temperature reduction, temperature regulation, frost protection and stop) with wall-mounted thermostat. You can control one or more Yali GV, Langila, Sanbe, Epok and Tamari radiators in the same room with just one remote control.
- ACCESSORIES**
- Splash proof cover for an upgrade to IP44.
 - Towel rail in stainless steel available as an accessory
- PACKAGE**
- Wall mounts with and without brackets



IP 32*



* IP 44 with the splash proof cover.

HEIGHT 1800 MM

Model	Output W	Width mm	Height mm	Voltage V	Weight Kg
SAN V 18 03 230 08 2	750	380	1 800	230	29
SAN V 18 03 400 08 2	750	380	1 800	400	29
SAN V 18 05 230 10 2	1 000	530	1 800	230	40
SAN V 18 05 400 10 2	1 000	530	1 800	400	40
SAN V 18 06 230 13 2	1 250	680	1 800	230	52
SAN V 18 06 400 13 2	1 250	680	1 800	400	52

HEIGHT 1950 MM

Model	Output W	Width mm	Height mm	Voltage V	Weight Kg
SAN V 20 06 230 15 2	1 500	680	1 950	230	57
SAN V 20 06 400 15 2	1 500	680	1 950	400	57

HEIGHT 2100 MM

Model	Output W	Width mm	Height mm	Voltage V	Weight Kg
SAN V 21 06 230 18 2	1 750	680	2 100	230	62
SAN V 21 06 400 18 2	1 750	680	2 100	400	62
SAN V 21 08 230 20 2	2 000	830	2 100	230	75
SAN V 21 08 400 20 2	2 000	830	2 100	400	75

SANBE + TOWEL RAIL

Model	Width mm	Height mm	Colour	Description
SAN V TR 03	412,5	40	Stainless	For Sanbe width 380 mm
SAN V TR 05	562,5	40	Stainless	For Sanbe width 530 mm
SAN V TR 06	712,5	40	Stainless	For Sanbe width 680 mm
SAN V TR 08	862,5	40	Stainless	For Sanbe width 830 mm

ADD SOME COLOUR

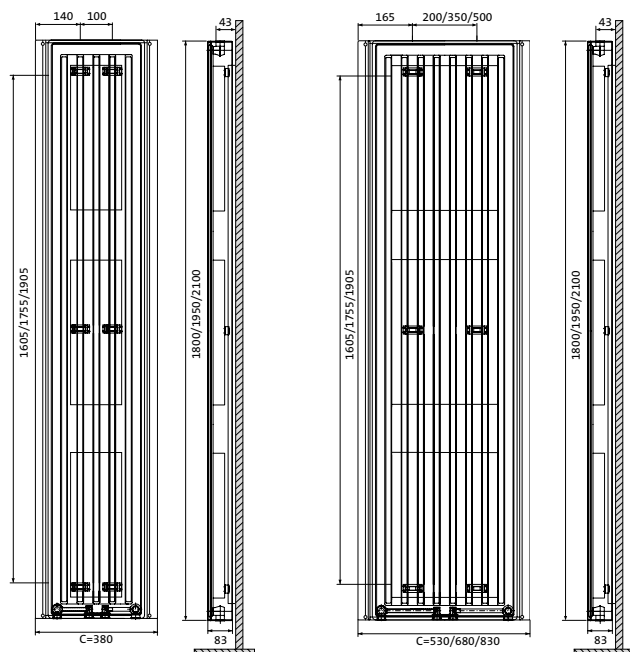
Langila is available in white RAL 9016 as standard, but also in 12 different metallic, anodic and mat colours.

ADDITIONAL PRICE +20%.

Contact your local LVI retailer for additional information.



• Towel rail for Sanbe





MILO H

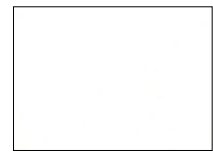
Cast granite is a visually highly attractive material that also retains heat excellently. Milo combines these properties optimally, and is available in four different natural colours that augment the room's aesthetic impression. The thermostats have been placed on the rear of the radiator so that they do not detract from the clean lines.

TECHNICAL DATA

- GENERAL**
- Radiator made of cast granite.
 - Extremely flat (70 mm installed).
 - Entirely straight, smooth surface. Easy to maintain.
 - Non-allergenic.
 - Frost protection.
 - Simple to use, rapid heating and even temperature across the entire surface.
 - Elegant and discreet. The thermostat is located on the rear of the radiator.
 - Available in four natural colours: dark grey, white, grey and sand coloured.
- THERMOSTAT**
- Advanced thermostat with precise regulation. Several temperature reduction options: 3.5°C (manual) or freely adjustable 0-15°C (via external control system).
 - Adjustable maximum surface temperature of 80°C (normal) or 60°C (reduced, NB! The 60°C mode reduces the output of the radiator by 50%).
 - The radiator is supplied with a cable with a "plug-in contact" for connecting the radiator and the enclosed wall outlet box.
 - The Milo radiator can be controlled from another Milo radiator. However, it cannot be controlled from another external control system.
 - Can be supplied with a plug instead of a wall outlet box. When ordering, use the same model designation as the standard radiators, but with the supplement P (e.g. MIL P). The central temperature reduction option/slave connection is not available in this version.
- PACKAGE**
- Delivered with wall brackets for permanent installation.
 - The radiator is supplied for mounting with the thermostat on the right hand.



SG = sand coloured



WG = white



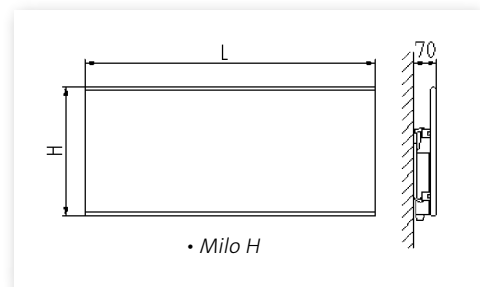
GG = grey



BG = dark grey

The colours in the catalogue may differ slightly from the original products due to technical printing reasons.

Example: MILO308230042GG = grey cast granite



IP 32



HEIGHT 300 MM

Model	Output *W	Output **W	Height mm	Lenght mm	Voltage V	Weight Kg
MIL 03 08 230 04 2 WG	260	400	300	800	230	10
MIL 03 08 400 04 2 WG	260	400	300	800	400	10
MIL 03 08 230 04 2 GG	260	400	300	800	230	10
MIL 03 08 400 04 2 GG	260	400	300	800	400	10
MIL 03 08 230 04 2 SG	260	400	300	800	230	10
MIL 03 08 400 04 2 SG	260	400	300	800	400	10
MIL 03 08 230 04 2 BG	260	400	300	800	230	10
MIL 03 08 400 04 2 BG	260	400	300	800	400	10
MIL 03 12 230 06 2 WG	390	600	300	1200	230	14
MIL 03 12 400 06 2 WG	390	600	300	1200	400	14
MIL 03 12 230 06 2 GG	390	600	300	1200	230	14
MIL 03 12 400 06 2 GG	390	600	300	1200	400	14
MIL 03 12 230 06 2 SG	390	600	300	1200	230	14
MIL 03 12 400 06 2 SG	390	600	300	1200	400	14
MIL 03 12 230 06 2 BG	390	600	300	1200	230	14
MIL 03 12 400 06 2 BG	390	600	300	1200	400	14
MIL 03 16 230 08 2 WG	520	800	300	1600	230	18
MIL 03 16 400 08 2 WG	520	800	300	1600	400	18
MIL 03 16 230 08 2 GG	520	800	300	1600	230	18
MIL 03 16 400 08 2 GG	520	800	300	1600	400	18
MIL 03 16 230 08 2 SG	520	800	300	1600	230	18
MIL 03 16 400 08 2 SG	520	800	300	1600	400	18
MIL 03 16 230 08 2 BG	520	800	300	1600	230	18
MIL 03 16 400 08 2 BG	520	800	300	1600	400	18
MIL 03 20 230 10 2 WG	650	1000	300	2000	230	22
MIL 03 20 400 10 2 WG	650	1000	300	2000	400	22
MIL 03 20 230 10 2 GG	650	1000	300	2000	230	22
MIL 03 20 400 10 2 GG	650	1000	300	2000	400	22
MIL 03 20 230 10 2 SG	650	1000	300	2000	230	22
MIL 03 20 400 10 2 SG	650	1000	300	2000	400	22
MIL 03 20 230 10 2 BG	650	1000	300	2000	230	22
MIL 03 20 400 10 2 BG	650	1000	300	2000	400	22
MIL 03 24 230 12 2 WG	780	1200	300	2400	230	26
MIL 03 24 400 12 2 WG	780	1200	300	2400	400	26
MIL 03 24 230 12 2 GG	780	1200	300	2400	230	26
MIL 03 24 400 12 2 GG	780	1200	300	2400	400	26
MIL 03 24 230 12 2 SG	780	1200	300	2400	230	26
MIL 03 24 400 12 2 SG	780	1200	300	2400	400	26
MIL 03 24 230 12 2 BG	780	1200	300	2400	230	26
MIL 03 24 400 12 2 BG	780	1200	300	2400	400	26

* Heat output: Value that the installer should take into account when planning the amount of radiators to be installed in order to cover the heat losses.

** Nominal output: Value that the installer should take into account when dimensioning the installation.

Model	Output *W	Output **W	Height mm	Lenght mm	Voltage V	Weight Kg
MIL 04 06 230 04 2 WG	260	400	400	600	230	10
MIL 04 06 400 04 2 WG	260	400	400	600	400	10
MIL 04 06 230 04 2 GG	260	400	400	600	230	10
MIL 04 06 400 04 2 GG	260	400	400	600	400	10
MIL 04 06 230 04 2 SG	260	400	400	600	230	10
MIL 04 06 400 04 2 SG	260	400	400	600	400	10
MIL 04 06 230 04 2 BG	260	400	400	600	230	10
MIL 04 06 400 04 2 BG	260	400	400	600	400	10
MIL 04 09 230 06 2 WG	390	600	400	900	230	14
MIL 04 09 400 06 2 WG	390	600	400	900	400	14
MIL 04 09 230 06 2 GG	390	600	400	900	230	14
MIL 04 09 400 06 2 GG	390	600	400	900	400	14
MIL 04 09 230 06 2 SG	390	600	400	900	230	14
MIL 04 09 400 06 2 SG	390	600	400	900	400	14
MIL 04 09 230 06 2 BG	390	600	400	900	230	14
MIL 04 09 400 06 2 BG	390	600	400	900	400	14
MIL 04 12 230 08 2 WG	520	800	400	1200	230	18
MIL 04 12 400 08 2 WG	520	800	400	1200	400	18
MIL 04 12 230 08 2 GG	520	800	400	1200	230	18
MIL 04 12 400 08 2 GG	520	800	400	1200	400	18
MIL 04 12 230 08 2 SG	520	800	400	1200	230	18
MIL 04 12 400 08 2 SG	520	800	400	1200	400	18
MIL 04 12 230 08 2 BG	520	800	400	1200	230	18
MIL 04 12 400 08 2 BG	520	800	400	1200	400	18
MIL 04 15 230 10 2 WG	650	1000	400	1500	230	22
MIL 04 15 400 10 2 WG	650	1000	400	1500	400	22
MIL 04 15 230 10 2 GG	650	1000	400	1500	230	22
MIL 04 15 400 10 2 GG	650	1000	400	1500	400	22
MIL 04 15 230 10 2 SG	650	1000	400	1500	230	22
MIL 04 15 400 10 2 SG	650	1000	400	1500	400	22
MIL 04 15 230 10 2 BG	650	1000	400	1500	230	22
MIL 04 15 400 10 2 BG	650	1000	400	1500	400	22
MIL 04 18 230 12 2 WG	780	1200	400	1800	230	26
MIL 04 18 400 12 2 WG	780	1200	400	1800	400	26
MIL 04 18 230 12 2 GG	780	1200	400	1800	230	26
MIL 04 18 400 12 2 GG	780	1200	400	1800	400	26
MIL 04 18 230 12 2 SG	780	1200	400	1800	230	26
MIL 04 18 400 12 2 SG	780	1200	400	1800	400	26
MIL 04 18 230 12 2 BG	780	1200	400	1800	230	26
MIL 04 18 400 12 2 BG	780	1200	400	1800	400	26

* Heat output: Value that the installer should take into account when planning the amount of radiators to be installed in order to cover the heat losses.

** Nominal output: Value that the installer should take into account when dimensioning the installation.

HEIGHT 600 MM

Model	Output *W	Output **W	Height mm	Lenght mm	Voltage V	Weight Kg
MIL 06 04 230 04 2 WG	260	400	600	400	230	10
MIL 06 04 400 04 2 WG	260	400	600	400	400	10
MIL 06 04 230 04 2 GG	260	400	600	400	230	10
MIL 06 04 400 04 2 GG	260	400	600	400	400	10
MIL 06 04 230 04 2 SG	260	400	600	400	230	10
MIL 06 04 400 04 2 SG	260	400	600	400	400	10
MIL 06 04 230 04 2 BG	260	400	600	400	230	10
MIL 06 04 400 04 2 BG	260	400	600	400	400	10
MIL 06 06 230 06 2 WG	390	600	600	600	230	14
MIL 06 06 400 06 2 WG	390	600	600	600	400	14
MIL 06 06 230 06 2 GG	390	600	600	600	230	14
MIL 06 06 400 06 2 GG	390	600	600	600	400	14
MIL 06 06 230 06 2 SG	390	600	600	600	230	14
MIL 06 06 400 06 2 SG	390	600	600	600	400	14
MIL 06 06 230 06 2 BG	390	600	600	600	230	14
MIL 06 06 400 06 2 BG	390	600	600	600	400	14
MIL 06 08 230 08 2 WG	520	800	600	800	230	18
MIL 06 08 400 08 2 WG	520	800	600	800	400	18
MIL 06 08 230 08 2 GG	520	800	600	800	230	18
MIL 06 08 400 08 2 GG	520	800	600	800	400	18
MIL 06 08 230 08 2 SG	520	800	600	800	230	18
MIL 06 08 400 08 2 SG	520	800	600	800	400	18
MIL 06 08 230 08 2 BG	520	800	600	800	230	18
MIL 06 08 400 08 2 BG	520	800	600	800	400	18
MIL 06 10 230 10 2 WG	650	1000	600	1000	230	22
MIL 06 10 400 10 2 WG	650	1000	600	1000	400	22
MIL 06 10 230 10 2 GG	650	1000	600	1000	230	22
MIL 06 10 400 10 2 GG	650	1000	600	1000	400	22
MIL 06 10 230 10 2 SG	650	1000	600	1000	230	22
MIL 06 10 400 10 2 SG	650	1000	600	1000	400	22
MIL 06 10 230 10 2 BG	650	1000	600	1000	230	22
MIL 06 10 400 10 2 BG	650	1000	600	1000	400	22
MIL 06 12 230 12 2 WG	780	1200	600	1200	230	26
MIL 06 12 400 12 2 WG	780	1200	600	1200	400	26
MIL 06 12 230 12 2 GG	780	1200	600	1200	230	26
MIL 06 12 400 12 2 GG	780	1200	600	1200	400	26
MIL 06 12 230 12 2 SG	780	1200	600	1200	230	26
MIL 06 12 400 12 2 SG	780	1200	600	1200	400	26
MIL 06 12 230 12 2 BG	780	1200	600	1200	230	26
MIL 06 12 400 12 2 BG	780	1200	600	1200	400	26

* Heat output: Value that the installer should take into account when planning the amount of radiators to be installed in order to cover the heat losses.

** Nominal output: Value that the installer should take into account when dimensioning the installation.



MILO V + TOWEL RAIL

Cast granite is a visually highly attractive material that also retains heat excellently. Milo V combines these properties optimally, and is available in four different natural colours that augment the room's aesthetic impression. The thermostats have been placed on the rear of the radiator so that they do not detract from the clean lines. Milo V is the vertically mounted version of this truly unique decorative radiator. The Milo V can also be combined with a towel rail (accessory), turning the unit as a whole into a combined towel warmer and bathroom radiator (see Milo V + Milo TR). The towel rail is available with a chrome or white paint finish.

TECHNICAL DATA

- GENERAL**
- Radiator made of cast granite. Extremely flat (70 mm installed).
 - Entirely straight, smooth surface. Easy to maintain.
 - Non-allergenic.
 - Frost protection.
 - Simple to use, rapid heating and even temperature across the entire surface.
 - Elegant and discreet. The thermostat is located on the rear of the radiator.
 - Available in four natural colours: dark grey, white, grey and sand coloured.
- THERMOSTAT**
- Advanced thermostat with precise regulation. Several temperature reduction options: 3.5°C (manual) or freely adjustable -15°C (via external control system).
 - Adjustable maximum surface temperature of 80°C (normal) or 60°C (reduced, NB! The 60°C mode reduces the output of the radiator by 50%).
 - The radiator is supplied with a cable with a "plug-in contact" for connecting the radiator and the enclosed wall outlet box.
 - The Milo radiator can be controlled from another Milo radiator. However, it cannot be controlled from another external control system.
 - Can be supplied with a plug instead of a wall outlet box. When ordering, use the same model designation as the standard radiators, but with the supplement P (e.g. MIL P). The central temperature reduction option/slave connection is not available in this version.
- ACCESSORIES**
- Towel rail is available as an accessory.
- PACKAGE**
- Delivered with wall brackets for permanent installation.
 - The radiator is supplied for mounting with the thermostat on the right hand.



IP 32



MILO V + TOWEL RAIL

Model	Width mm	Height mm	Colour	Description
MIL TR 0305 C	470	266	Chrome	For Milo V width 300 mm
MIL TR 0305 W	470	266	Vitlack	For Milo V width 300 mm
MIL TR 0306 C	570	266	Chrome	For Milo V width 400 mm
MIL TR 0306 W	570	266	Vitlack	For Milo V width 400 mm



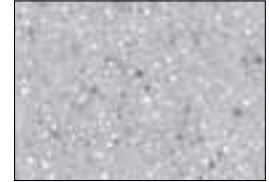
BG = dark grey



WG = white



SG = sand coloured



GG = grey

Example: MIL0308230042GG = grey cast granite

The colours in the catalogue may differ slightly from the original products due to technical printing reasons.



• Milo V – pictured with the optional Milo TR towel rail.

Model	Output *W	Output **W	Height mm	Width mm	Voltage V	Weight Kg
MILV 08 03 230 04 2 WG	260	400	800	300	230	10
MILV 08 03 400 04 2 WG	260	400	800	300	400	10
MILV 08 03 230 04 2 GG	260	400	800	300	230	10
MILV 08 03 400 04 2 GG	260	400	800	300	400	10
MILV 08 03 230 04 2 SG	260	400	800	300	230	10
MILV 08 03 400 04 2 SG	260	400	800	300	400	10
MILV 08 03 230 04 2 BG	260	400	800	300	230	10
MILV 08 03 400 04 2 BG	260	400	800	300	400	10
MILV 12 03 230 06 2 WG	390	600	1200	300	230	14
MILV 12 03 400 06 2 WG	390	600	1200	300	400	14
MILV 12 03 230 06 2 GG	390	600	1200	300	230	14
MILV 12 03 400 06 2 GG	390	600	1200	300	400	14
MILV 12 03 230 06 2 SG	390	600	1200	300	230	14
MILV 12 03 400 06 2 SG	390	600	1200	300	400	14
MILV 12 03 230 06 2 BG	390	600	1200	300	230	14
MILV 12 03 400 06 2 BG	390	600	1200	300	400	14
MILV 16 03 230 08 2 WG	520	800	1600	300	230	19
MILV 16 03 400 08 2 WG	520	800	1600	300	400	19
MILV 16 03 230 08 2 GG	520	800	1600	300	230	19
MILV 16 03 400 08 2 GG	520	800	1600	300	400	19
MILV 16 03 230 08 2 SG	520	800	1600	300	230	19
MILV 16 03 400 08 2 SG	520	800	1600	300	400	19
MILV 16 03 230 08 2 BG	520	800	1600	300	230	19
MILV 16 03 400 08 2 BG	520	800	1600	300	400	19
MILV 20 03 230 10 2 WG	650	1000	2000	300	230	23
MILV 20 03 400 10 2 WG	650	1000	2000	300	400	23
MILV 20 03 230 10 2 GG	650	1000	2000	300	230	23
MILV 20 03 400 10 2 GG	650	1000	2000	300	400	23
MILV 20 03 230 10 2 SG	650	1000	2000	300	230	23
MILV 20 03 400 10 2 SG	650	1000	2000	300	400	23
MILV 20 03 230 10 2 BG	650	1000	2000	300	230	23
MILV 20 03 400 10 2 BG	650	1000	2000	300	400	23
MILV 24 03 230 12 2 WG	780	1200	2400	300	230	28
MILV 24 03 400 12 2 WG	780	1200	2400	300	400	28
MILV 24 03 230 12 2 GG	780	1200	2400	300	230	28
MILV 24 03 400 12 2 GG	780	1200	2400	300	400	28
MILV 24 03 230 12 2 SG	780	1200	2400	300	230	28
MILV 24 03 400 12 2 SG	780	1200	2400	300	400	28
MILV 24 03 230 12 2 BG	780	1200	2400	300	230	28
MILV 24 03 400 12 2 BG	780	1200	2400	300	400	28

* Heat output: Value that the installer should take into account when planning the amount of radiators to be installed in order to cover the heat losses.

** Nominal output: Value that the installer should take into account when dimensioning the installation.

WIDTH 400 MM

Model	Output *W	Output **W	Height mm	Width mm	Voltage V	Weight Kg
MILV 09 04 230 06 2 WG	390	600	900	400	230	14
MILV 09 04 400 06 2 WG	390	600	900	400	400	14
MILV 09 04 230 06 2 GG	390	600	900	400	230	14
MILV 09 04 400 06 2 GG	390	600	900	400	400	14
MILV 09 04 230 06 2 SG	390	600	900	400	230	14
MILV 09 04 400 06 2 SG	390	600	900	400	400	14
MILV 09 04 230 06 2 BG	390	600	900	400	230	14
MILV 09 04 400 06 2 BG	390	600	900	400	400	14
MILV 15 04 230 10 2 WG	650	1000	1500	400	230	23
MILV 15 04 400 10 2 WG	650	1000	1500	400	400	23
MILV 15 04 230 10 2 GG	650	1000	1500	400	230	23
MILV 15 04 400 10 2 GG	650	1000	1500	400	400	23
MILV 15 04 230 10 2 SG	650	1000	1500	400	230	23
MILV 15 04 400 10 2 SG	650	1000	1500	400	400	23
MILV 15 04 230 10 2 BG	650	1000	1500	400	230	23
MILV 15 04 400 10 2 BG	650	1000	1500	400	400	23
MILV 18 04 230 12 2 WG	780	1200	1800	400	230	27
MILV 18 04 400 12 2 WG	780	1200	1800	400	400	27
MILV 18 04 230 12 2 GG	780	1200	1800	400	230	27
MILV 18 04 400 12 2 GG	780	1200	1800	400	400	27
MILV 18 04 230 12 2 SG	780	1200	1800	400	230	27
MILV 18 04 400 12 2 SG	780	1200	1800	400	400	27
MILV 18 04 230 12 2 BG	780	1200	1800	400	230	27
MILV 18 04 400 12 2 BG	780	1200	1800	400	400	27

* Heat output: Value that the installer should take into account when planning the amount of radiators to be installed in order to cover the heat losses.

** Nominal output: Value that the installer should take into account when dimensioning the installation.





TOWEL WARMERS

COSY INDULGENCES

NILA

NILA R

NILA TI

ATHENA A

ATHENA E

ATHENA S

MURIA

MURIA R

MURIA TI

JARL

ALOID

ALOID IR

ALOID X

BANDAI

BANDAI IR





NILA

The Nila has a classic design that makes it suitable for any interior. Available in a chrome or white finish, its rounded corners and rails create an impression of softness. The Nila comes with a concealed or visible cable connector, giving it the flexibility to blend perfectly into your kitchen or bathroom. Connection points are available on the bottom left- or right-hand sides of the unit. Nila R with its adjustable temperature control you can always find the ideal temperature. Another version, the Nila, features a simple on/off switch in place of the adjustable temperature control. Nila Ti comes with a timer, 2-8 hours or constantly on/off.

TECHNICAL DATA

- GENERAL**
- Liquid-filled towel warmer
 - Strong steel of the highest quality.
 - Quiet and odour-free.
 - Easy to install.
 - Low energy consumption (70-100 W).
 - Available in two widths: 45 and 62 cm.
 - Choose between white RAL 9016 and chrome finish.
 - Max. surface temperature 60°C.
- CONTROLLER**
- Two-pole on/off switch .
 - Choose between concealed and visible connection.
 - The connection housing can be located at the bottom to the right or left during installation.
 - Fixed mounting.
 - Nila: Two-pole on/off switch
 - Nila R: Adjustable temperature control
 - NilaTi: Timer (2-8 hours) or constantly on/off
- ACCESSORIES**
- Drying shelf THC is available as an accessory.
- PACKAGE**
- Supplied with attached 1.5 m connection cable with plug and the necessary screws for installation.
 - Can be installed with concealed connection, cover supplied



NILA

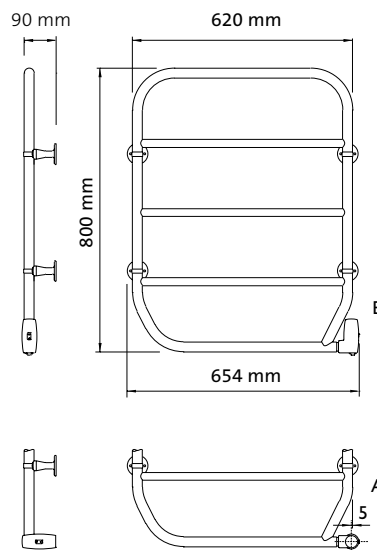
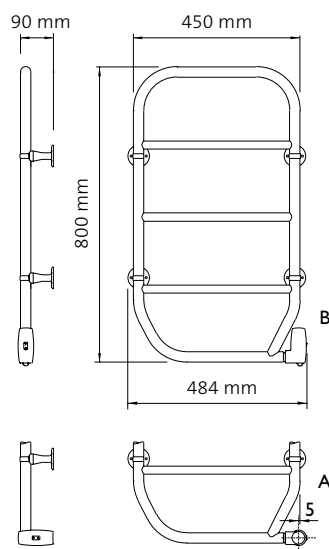
Model	Colour	Output W	Height mm	Width mm	Voltage V	Weight Kg
NIL P 08 05 230 01 1 C	Chrome	70	800	450	230	6
NIL P 08 05 230 01 1 W	White RAL 9016	80	800	450	230	6
NIL P 08 06 230 01 1 C	Chrome	80	800	620	230	7
NIL P 08 06 230 01 1 W	White RAL 9016	100	800	620	230	7

NILA R

Model	Colour	Output W	Height mm	Width mm	Voltage V	Weight Kg
NIL R P 08 05 230 01 1 C	Chrome	70	800	450	230	6
NIL R P 08 05 230 01 1 W	White RAL 9016	80	800	450	230	6
NIL R P 08 06 230 01 1 C	Chrome	80	800	620	230	7
NIL R P 08 06 230 01 1 W	White RAL 9016	100	800	620	230	7

NILA TI

Model	Colour	Output W	Height mm	Width mm	Voltage V	Weight Kg
NIL TI P 0805 230 01 1 C	Chrome	70	800	450	230	6
NIL TI P 0805 230 01 1 W	White RAL 9016	80	800	450	230	6
NIL TI P 0806 230 01 1 C	Chrome	80	800	620	230	7
NIL TI P 0806 230 01 1 W	White RAL 9016	100	800	620	230	7



• Nila | Nila R | Nila Ti



• Chrome



• White RAL 9016



IP 44



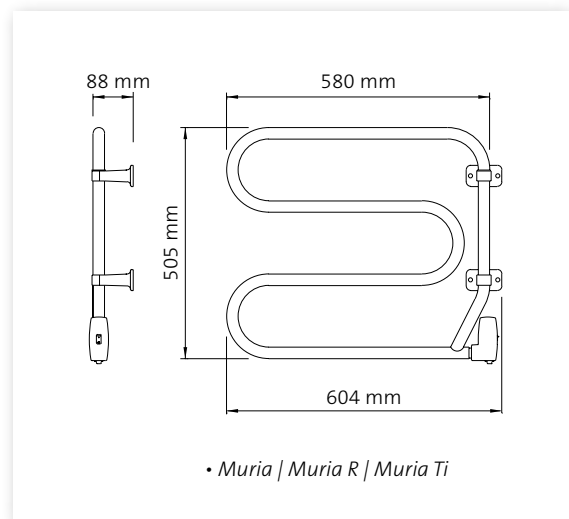


MURIA

The sinuous coils of the Muria intrigue the eye, creating instant visual drama in your bathroom and plenty of hanging space for towels. It is perfect for confined spaces, as it is cleverly designed to turn 180-degrees on your wall. It is available in a chrome or white RAL 9016. Muria R has an adjustable temperature control, so you can always find the ideal temperature. Another version, the Muria, features a simple on/off switch in place of the adjustable temperature control. Muria Ti comes with a timer, 2-8 hours or constantly on/off.

TECHNICAL DATA

- | | |
|-------------------|--|
| GENERAL | <ul style="list-style-type: none"> • Liquid-filled towel warmer • Strong steel of the highest quality. • Reinforced hinges. • Quiet and odour-free. • Easy to install. • Very low energy consumption (70 W). • Choose between white RAL 9016 and chrome finish. • Max. surface temperature 60°C. |
| CONTROLLER | <ul style="list-style-type: none"> • Two-pole on/off switch . • The connection housing can be located at the bottom to the right or left during installation. • Nila: Two-pole on/off switch • Nila R: Adjustable temperature control • NilaTi: Timer (2-8 hours) or constantly on/off |
| PACKAGE | <ul style="list-style-type: none"> • Supplied with attached 1.5 m connection cable with plug and the necessary screws for installation. |



MURIA

Model	Colour	Output W	Height mm	Width mm	Voltage V	Weight Kg
MUR P 05 06 230 01 1 W	White RAL 9016	70	505	580	230	5
MUR P 05 06 230 01 1 C	Chrome	70	505	580	230	5

MURIA R

Model	Colour	Output W	Height mm	Width mm	Voltage V	Weight Kg
MUR R P 05 06 230 01 1 W	White RAL 9016	70	505	580	230	5
MUR R P 05 06 230 01 1 C	Chrome	70	505	580	230	5

MURIA TI

Model	Colour	Output W	Height mm	Width mm	Voltage V	Weight Kg
MUR TI P 0506 230 01 1 W	White RAL 9016	70	505	580	230	5
MUR TI P 0506 230 01 1 C	Chrome	70	505	580	230	5



• Chrome



• White RAL 9016



IP 44





ATHENA A

If you like bold, geometric shapes choose the Athena A. Its contrasting curves and right angles create an eye-catching effect, with no compromise on space. The Athena A towel warmer is packed with choices. It is reversible and give you the option of installing the units face-up or -down, left or right. The concealed connection point allows you to link the units directly to the mains power supply to achieve a totally seamless effect or to use the supplied cord and plug for connection to a power point. A simple flick of a switch is all you need to operate the Athena A.

TECHNICAL DATA

GENERAL

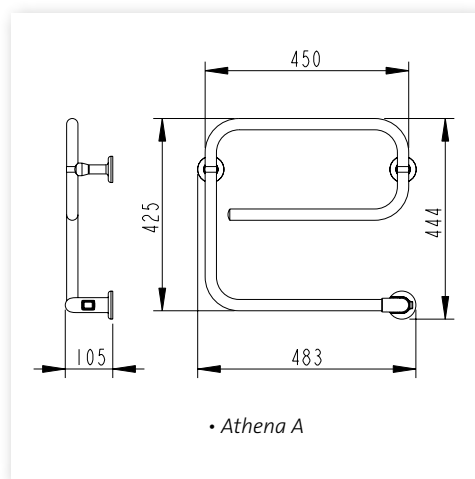
- Electric towel warmer
- Strong steel of the highest quality.
- Quiet and odour-free.
- Easy to install.
- Very low energy consumption (40-55 W).
- Choose between white RAL 9016 and chrome finish.
- Reversible
- Double-insulated
- Max. surface temperature 60°C.

CONTROLLER

- Two-pole on/off switch .
- Easy to install. During installation, choose whether you want the switch at the top or bottom.
- Choose between concealed and visible connection (sold with male contact).
- Towel warmer with heater cable for fixed installation, with 2-pole illuminated switch and concealed screw holes.
- Can be installed with concealed connection and with the connection housing at the top or bottom and on the right or left hand side.

PACKAGE

- Supplied with attached 1.5 m connection cable with plug and the necessary screws for installation.



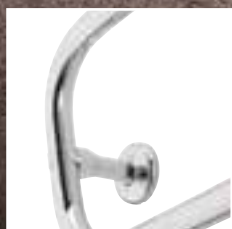
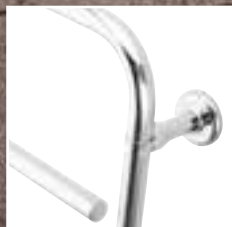
ATHENA A

Model	Colour	Output W	Height mm	Width mm	Voltage V	Weight Kg
ATHA P 05 05 230 01 2 C	Chrome	40	425	450	230	2
ATHA P 05 05 230 01 2 W	White RAL9016	55	425	450	230	2



IP 44





ATHENA E

If you like bold, geometric shapes choose the Athena E. Its contrasting curves and right angles create an eye-catching effect, with no compromise on space. The Athena E towel warmer is packed with choices. It is reversible and give you the option of installing the units face-up or -down, left or right. The concealed connection point allows you to link the units directly to the mains power supply to achieve a totally seamless effect or to use the supplied cord and plug for connection to a power point. A simple flick of a switch is all you need to operate the Athena E. The Athena E is slightly smaller than Athena S and larger than the Athena A

TECHNICAL DATA

GENERAL

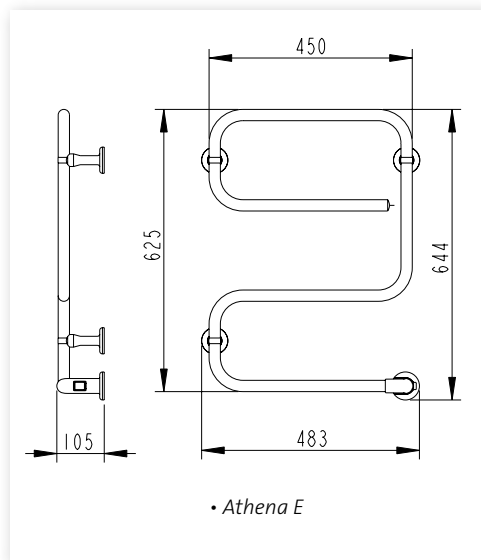
- Electric towel warmer
- Strong steel of the highest quality.
- Quiet and odour-free.
- Easy to install.
- Very low energy consumption (55-70 W).
- Choose between white RAL 9016 and chrome finish.
- Reversible
- Double-insulated
- Max. surface temperature 60°C.

CONTROLLER

- Two-pole on/off switch .
- Easy to install. During installation, choose whether you want the switch at the top or bottom..
- Choose between concealed and visible connection (sold with male contact).
- Towel warmer with heater cable for fixed installation, with 2-pole illuminated switch and concealed screw holes.
- Can be installed with concealed connection and with the connection housing at the top or bottom and on the right or left hand side.

PACKAGE

- Supplied with attached 1.5 m connection cable with plug and the necessary screws for installation.



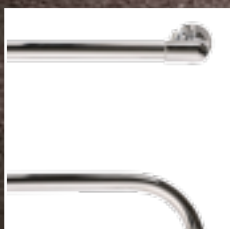
ATHENA E

Model	Colour	Output W	Height mm	Width mm	Voltage V	Weight Kg
ATH E P 06 05 230 01 2 C	Chrome	55	625	450	230	3
ATH E P 06 05 230 01 2 W	White RAL 9016	70	625	450	230	3



IP 44





ATHENA S

The looping curves of the Athena S echo the lazy winding of a river to the sea, creating a sense of calm in your bathroom. It will rapidly become indispensable, both as part of your bathroom décor and for practical reasons, as its curves can hold plenty of towels. The Athena S is reversible and can be installed facing upwards or downwards. For a smooth, clean look, take advantage of the unit's concealed connection point by linking it directly to the mains electrics or simply connect to a power point with the supplied cord and plug. The Athena S comes with an easy-to-use on/off flick switch.

TECHNICAL DATA

GENERAL

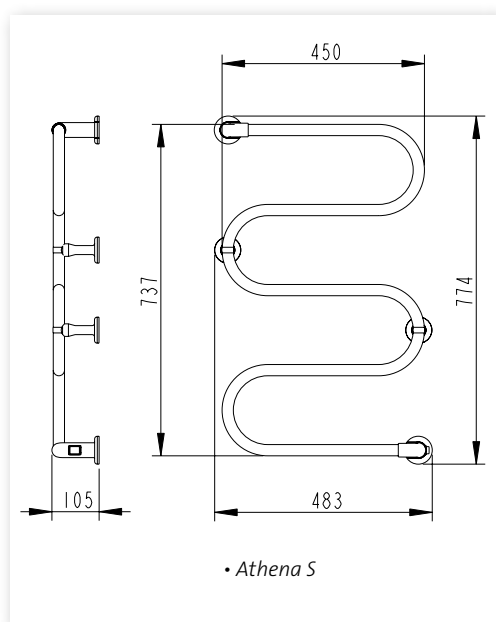
- Electric towel warmer
- Strong steel of the highest quality.
- Quiet and odour-free.
- Easy to install.
- Very low energy consumption (50-65 W).
- Choose between white RAL 9016 and chrome finish.
- Reversible
- Double-insulated
- Max. surface temperature 60°C.

CONTROLLER

- Two-pole on/off switch .
- Easy to install. During installation, choose whether you want the switch at the top or bottom..
- Choose between concealed and visible connection (sold with male contact).
- Towel warmer with heater cable for fixed installation, with 2-pole illuminated switch and concealed screw holes.
- Can be installed with concealed connection and with the connection housing at the top or bottom and on the right or left hand side.

PACKAGE

- Supplied with attached 1.5 m connection cable with plug and the necessary screws for installation.



ATHENA S

Model	Colour	Output W	Height mm	Width mm	Voltage V	Weight Kg
ATH S P 07 05 230 01 2 C	Chrome	50	737	450	230	3
ATH S P 07 05 230 01 2 W	White RAL 9016	65	737	450	230	3



IP 44





JARL

Any bathroom or kitchen that gets a lot of use will generate plenty of wet towels. That's why the Jarl is the perfect heating solution for these areas. This smart design functions both as a radiator and Towel warmer, with a generous number of rails to ensure that no matter how many towels you use, you'll always have a dry one to hand. The Jarl comes with a built in timer that allows you to set it to dry at full power over a twohour period everyday or manually as needed. It's a perfect solution for busy bathrooms.

TECHNICAL DATA

- | | |
|-------------------|--|
| GENERAL | <ul style="list-style-type: none">• Electric, liquid-filled towel warmer/bathroom radiator.• Hard-wearing epoxy paint (White RAL 9016).• Straight side channels. D-shaped vertical pipes• Easy to install |
| THERMOSTAT | <ul style="list-style-type: none">• Jarl is equipped with an electronic thermostat, which can be set in the following positions: Frost protection 7°C. ECO. Lowest temperature 16°C (frost protection off). Temperature 18°C - 24°C. Full output.• Timer with 2 hr boost (or manual if required).• Only for mounting with thermostat on the right hand side and connection with visible cable. |
| PACKAGE | <ul style="list-style-type: none">• Supplied with attached 90 cm connection cable and the necessary screws/mounts for installation. |

JARL

Model	Colour	Output W	Height mm	Width mm	Voltage V	Weight Kg
JAR 10 05 230 03 2 W	Vit	300	953	500	230	12
JAR 13 05 230 05 2 W	Vit	500	1 313	500	230	17
JAR 16 06 230 08 2 W	Vit	750	1 628	600	230	24

Model	Height HC (mm)	Height incl. thermostat housing (mm)
JAR 10 05	863	953
JAR 13 05	1 222	1 313
JAR 16 06	1 538	1 628



IP 44





ALOID

The chrome plated Alaid IR has a rounded, tubular design that offers a large surface area in a compact package with a thoroughly modern appearance. This makes it the perfect choice for bathrooms or kitchens that need a slightly unusual touch. Its infrared thermostat can be manually operated and wall-mounted for easy access and comes with an inbuilt timer that can be set to full power twice daily for those periods when your bathroom is busiest. Also available is the Alaid, which comes with an electronic thermostat and is finished in white RAL 9016 and the Alaid X, which can generate heat both electrically and hydronically.

TECHNICAL DATA

- GENERAL**
- Electric, liquid-filled towel warmer/bathroom radiator.
 - Quiet and odour-free.
 - Choose between white RAL 9016 and chrome finish.
 - Easy to install
 - Max. surface temperature 60°C.
- THERMOSTAT**
- Alaid is equipped with an electronic thermostat, which can be set in the following positions: Frost protection 7°C. ECO. Lowest temperature 16°C (frost protection off). Temperature 18°C - 24°C. Full output.
 - Timer with 2 hr boost (also set manually).
 - Only for mounting with thermostat on the right hand side and connection with visible cable.
 - Alaid is equipped with an electronic, wall-mounted thermostat with adjustable IR control.
- PACKAGE**
- Supplied with attached 90 cm connection cable and the necessary screws/ mounts for installation. The Alaid X is also supplied with a complete valve assembly for connection to water (the valve can be switched between 1-pipe and 2-pipe systems).
 - The valve assembly on the left hand side is reversible. The electric thermostat is located on the right side (not reversible).



- Electronic, wall-mounted thermostat with adjustable IR control (Alaid IR)
- Knob for temperature regulation 5-30°C
- Timer for programming providing full power for two hours twice daily, or manual if required.

ALAI

Model	Colour	Output W	Height mm	Width mm	Voltage V	Weight Kg
ALAI 10 05 230 03 2 W	White RAL 9016	300	953	500	230	9
ALAI 13 05 230 05 2 W	White RAL 9016	500	1313	500	230	13


ALAI IR

Model	Colour	Output W	Height mm	Width mm	Voltage V	Weight Kg
ALAI IR 13 05 230 03 2 C	Chrome	300	1342	500	230	13
ALAI IR 17 06 230 05 2 C	Chrome	500	1657	600	230	19


ALAI X

Model	Colour	Output W	Height mm	Width mm	Voltage V	Weight Kg
ALAI X 10 05 230 03 2 W	White RAL 9016	300	953	500	230	9
ALAI X 13 05 230 05 2 W	White RAL 9016	500	1313	500	230	13


• Alai

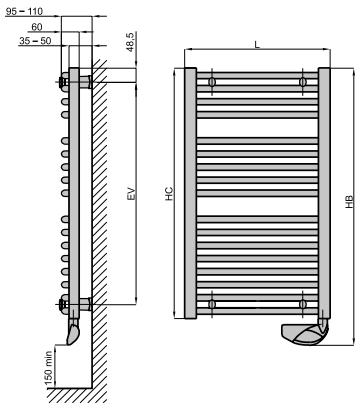


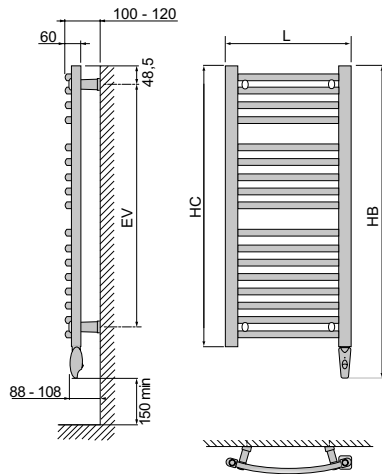
• Alai IR

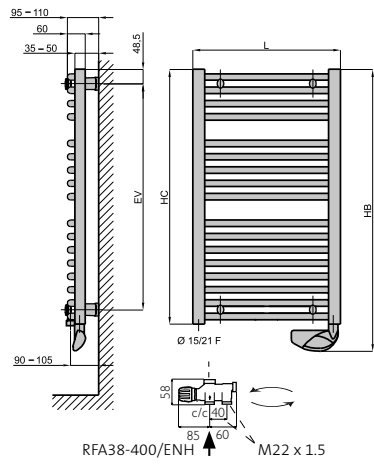


• Alai X









Model	Height HC (mm)	Height incl. therm.housing (mm)
ALAI 10 05	862	953
ALAI 13 05	1222	1313

Model	Height HC (mm)	Height incl. therm.housing (mm)
ALAI IR 13 05	1222	1342
ALAI IR 17 06	1537	1657

Model	Height HC (mm)	Height incl. therm.housing (mm)
ALAI X 10 05	862	953
ALAI X 13 05	1222	1313



IP 44





BANDAI

The slender heating elements of the Bandai IR makes it an elegant addition to any bathroom or kitchen, whether you choose the standard silver gloss finish or one of the range of 18 colour finishes available. The separate thermostat controls the temperature with infrared signals, so it can be wall-mounted for easy access. The thermostat can be operated manually and also comes with an inbuilt timer that can be set to full power twice daily for a two-hour period, giving you maximum drying power when your bathroom is busiest. Also available is the Bandai, which comes with an electronic thermostat and is finished in white RAL 9016.

TECHNICAL DATA

- GENERAL**
- Electric, liquid-filled towel warmer/bathroom radiator.
 - Quiet and odour-free.
 - Bandai IR can be ordered in any RAL colour.
 - Easy to install
 - Max. surface temperature 60°C.
- THERMOSTAT**
- Bandai is equipped with an electronic thermostat, which can be set in the following positions: Frost protection 7°C. ECO. Lowest temperature 16°C (frost protection off). Temperature 18°C - 24°C. Full output.
 - Timer with 2 hr boost (also set manually).
 - Only for mounting with thermostat on the right hand side and connection with visible cable.
 - Bandai is equipped with an electronic, wall-mounted thermostat with adjustable IR control.
- PACKAGE**
- Supplied with attached 90 cm connection cable and the necessary screws/ mounts for installation.



- *Electronic, wall-mounted thermostat with adjustable IR control (Bandai IR)*
- *Knob for temperature regulation 5-30°C*
- *Timer for programming providing full power for two hours twice daily, or manual if required.*

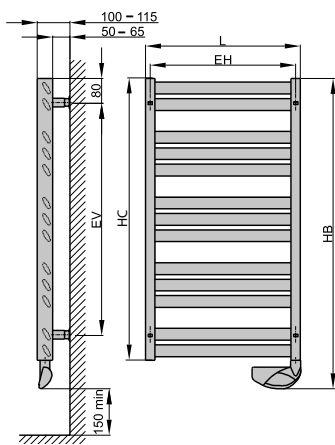
BANDAI

Model	Colour	Output W	Height mm	Width mm	Voltage V	Weight Kg
BAN 10 04 230 03 2 W	White RAL 9016	300	1 003	400	230	12
BAN 14 04 230 04 2 W	White RAL 9016	400	1 427	400	230	15

BANDAI IR

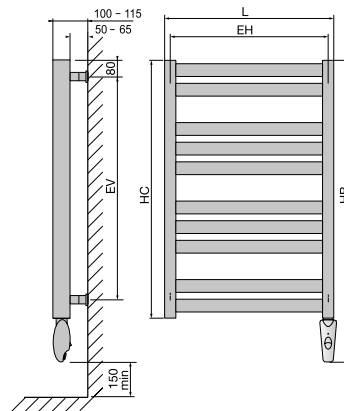
Model	Colour	Output W	Height mm	Width mm	Voltage V	Weight Kg
BAN IR 10 04 230 03 2 S	Silver gloss	300	1 032	400	230	12
BAN IR 15 04 230 04 2 S	Silver gloss	400	1 456	400	230	15

• Bandai



Model	Height HC (mm)	Height incl. thermostat housing (mm)
BAN 10 04	912	1 003
BAN 14 04	1336	1 427

• Bandai IR



Model	Height HC (mm)	Height incl. thermostat housing (mm)
BAN 10 04	912	1 032
BAN 15 04	1336	1 456



IP 44





ACCESSORIES

FOR RADIATORS AND TOWEL WARMERS



ACCESSORIES RADIATORS, TOWEL WARMERS



• IP 44 Splash proof cover



• NILA THC



• LAN V TR



• SAN V TR



• Touchscreen (WiFi)



• Connection box

Model	Height mm	Width mm	Description
MIL TR 03 05 C	266	470	Towel rail for Milo V width 300 mm
MIL TR 03 05 W	266	470	Towel rail for Milo V width 300 mm
MIL TR 03 06 C	266	570	Towel rail for Milo V width 400 mm
MIL TR 03 06 W	266	570	Towel rail for Milo V width 400 mm
LAN V TR 03	40	365	Towel rail for Langila width 325 mm
LAN V TR 05	40	515	Towel rail for Langila width 475 mm
LAN V TR 06	40	665	Towel rail for Langila width 625 mm
LAN V TR 08	40	815	Towel rail for Langila width 775 mm
SAN V TR 03	40	412,5	Towel rail for Sanbe width 380 mm
SAN V TR 05	40	562,5	Towel rail for Sanbe width 530 mm
SAN V TR 06	40	712,5	Towel rail for Sanbe width 680 mm
SAN V TR 08	40	862,5	Towel rail for Sanbe width 830 mm
Nila THC			Drying shelf for Nila. Depth: 290 mm
IP 44 Splash proof cover			Splash proof cover for IP 44
Kaba type 10 foot	-	-	Feet for the single paneled radiator Kaba P
TempCo Clock RF	130	75	Wireless 4 zone programmer
TempCo GSM NC EH	170	50	Controller
TempCo Connect 1M RF	170	70	Central clock
TempCo Connect 1M RF	170	70	Receiver with zero
TempCo Touch E3	-	-	Wireless central controller with Wifi connectivity
Charger (TempCo Touch E3)			
Connection box			



Old designation	Ny designation
KABA	KABA
KAB P 03 07 230 03 1	KABA P 03 060 10 230 03 1
KAB 03 07 400 03 1	KABA 3 03 060 10 400 03 1
KAB P 03 13 230 06 1	KABA P 03 110 10 230 05 1
KAB 03 13 400 06 1	KABA 3 03 110 10 400 05 1
KAB P 06 07 230 06 1	KABA P 05 105 10 230 08 1
KAB 06 07 400 06 1	KABA 3 05 105 10 400 08 1
KAB P 06 11 230 09 1	KABA P 05 140 10 230 10 1
KAB 06 11 400 09 1	KABA 3 05 140 10 400 10 1
KAB P 06 15 230 12 1	KABA P 05 175 10 230 13 1
KAB 06 15 400 12 1	KABA 3 05 175 10 400 13 1
ALATA	YALI COMFORT
ALA 03 07 230 03 1	YALI C C 03 040 11 230 03 1
ALA 03 07 400 03 1	YALI C C 03 040 11 400 03 1
ALA 03 12 230 05 1	YALI C C 03 080 11 230 05 1
ALA 03 12 400 05 1	YALI C C 03 080 11 400 05 1
ALA 03 08 /2 230 05 1	YALI C C 03 050 21 230 05 1
ALA 03 08 /2 400 05 1	YALI C C 03 050 21 400 05 1
ALA 03 18 230 08 1	YALI C C 03 110 11 230 08 1
ALA 03 18 400 08 1	YALI C C 03 110 11 400 08 1
ALA 03 12 /2 230 08 1	YALI C C 03 080 21 230 08 1
ALA 03 12 /2 400 08 1	YALI C C 03 080 21 400 08 1
ALA 03 15 /2 230 10 1	YALI C C 03 100 21 230 10 1
ALA 03 15 /2 400 10 1	YALI C C 03 100 21 400 10 1
ALA 03 18 /2 230 12 1	YALI C C 03 130 21 230 13 1
ALA 03 18 /2 400 12 1	YALI C C 03 130 21 400 13 1
ALA 05 08 230 05 1	YALI C C 05 055 11 230 05 1
ALA 05 08 400 05 1	YALI C C 05 055 11 400 05 1
ALA 05 05 /2 230 05 1	YALI C C 05 040 21 230 05 1
ALA 05 05 /2 400 05 1	YALI C C 05 040 21 400 05 1
ALA 05 12 230 08 1	YALI C C 05 080 11 230 08 1
ALA 05 12 400 08 1	YALI C C 05 080 11 400 08 1
ALA 05 08 /2 230 08 1	YALI C C 05 050 21 230 08 1
ALA 05 08 /2 400 08 1	YALI C C 05 050 21 400 08 1
ALA 05 15 230 10 1	YALI C C 05 105 11 230 10 1
ALA 05 15 400 10 1	YALI C C 05 105 11 400 10 1
ALA 05 10 /2 230 10 1	YALI C C 05 065 21 230 10 1
ALA 05 10 /2 400 10 1	YALI C C 05 065 21 400 10 1
ALA 05 18 230 12 1	YALI C C 05 130 11 230 13 1
ALA 05 18 400 12 1	YALI C C 05 130 11 400 13 1
ALA 05 12 /2 230 12 1	YALI C C 05 080 21 230 13 1
ALA 05 12 /2 400 12 1	YALI C C 05 080 21 400 13 1
ALA 05 16 /2 230 16 1	YALI C C 05 095 21 230 15 1
ALA 05 16 /2 400 16 1	YALI C C 05 095 21 400 15 1

Old designation	Ny designation
YALI G	YALI DIGITAL
YAL G 03 07 230 03 1	YALI D C 03 040 11 230 03 1
YAL G 03 07 400 03 1	YALI D C 03 040 11 400 03 1
YAL G 03 11 230 05 1	YALI D C 03 080 11 230 05 1
YAL G 03 11 400 05 1	YALI D C 03 080 11 400 05 1
YAL G 03 07 /2 230 05 1	YALI D C 03 050 21 230 05 1
YAL G 03 07 /2 400 05 1	YALI D C 03 050 21 400 05 1
YAL G 03 17 230 08 1	YALI D C 03 110 11 230 08 1
YAL G 03 17 400 08 1	YALI D C 03 110 11 400 08 1
YAL G 03 10 /2 230 08 1	YALI D C 03 080 21 230 08 1
YAL G 03 10 /2 400 08 1	YALI D C 03 080 21 400 08 1
YAL G 03 19 230 10 1	YALI D C 03 150 11 230 10 1
YAL G 03 19 400 10 1	YALI D C 03 150 11 400 10 1
YAL G 03 12 /2 230 10 1	YALI D C 03 100 21 230 10 1
YAL G 03 12 /2 400 10 1	YALI D C 03 100 21 400 10 1
YAL G 03 14 /2 230 12 1	YALI D C 03 130 21 230 13 1
YAL G 03 14 /2 400 12 1	YALI D C 03 130 21 400 13 1
YAL G 03 19 /2 230 16 1	YALI D C 03 160 21 230 15 1
YAL G 03 19 /2 400 16 1	YALI D C 03 160 21 400 15 1
YAL G 03 23 /2 230 20 1	YALI D C 03 200 21 230 20 1
YAL G 03 23 /2 400 20 1	YALI D C 03 200 21 400 20 1
YAL G 05 06 230 05 1	YALI D C 05 055 11 230 05 1
YAL G 05 06 400 05 1	YALI D C 05 055 11 400 05 1
YAL G 05 04 /2 230 05 1	YALI D C 05 040 21 230 05 1
YAL G 05 04 /2 400 05 1	YALI D C 05 040 21 400 05 1
YAL G 05 10 230 08 1	YALI D C 05 080 11 230 08 1
YAL G 05 10 400 08 1	YALI D C 05 080 11 400 08 1
YAL G 05 06 /2 230 08 1	YALI D C 05 050 21 230 08 1
YAL G 05 06 /2 400 08 1	YALI D C 05 050 21 400 08 1
YAL G 05 12 230 10 1	YALI D C 05 105 11 230 10 1
YAL G 05 12 400 10 1	YALI D C 05 105 11 400 10 1
YAL G 05 08 /2 230 10 1	YALI D C 05 065 21 230 10 1
YAL G 05 08 /2 400 10 1	YALI D C 05 065 21 400 10 1
YAL G 05 14 230 12 1	YALI D C 05 130 11 230 13 1
YAL G 05 14 400 12 1	YALI D C 05 130 11 400 13 1
YAL G 05 09 /2 230 12 1	YALI D C 05 080 21 230 13 1
YAL G 05 09 /2 400 12 1	YALI D C 05 080 21 400 13 1
YAL G 05 12 /2 230 16 1	YALI D C 05 095 21 230 15 1
YAL G 05 12 /2 400 16 1	YALI D C 05 095 21 400 15 1
YAL G 05 14 /2 230 20 1	YALI D C 05 125 21 230 20 1
YAL G 05 14 /2 400 20 1	YALI D C 05 125 21 400 20 1

Old designation	New designation
YALI F	YALI PARADA
-	YALI P C 03 040 11 230 03 1
-	YALI P C 03 040 11 400 03 1
-	YALI P C 03 080 11 230 05 1
-	YALI P C 03 080 11 400 05 1
-	YALI P C 03 050 21 230 05 1
-	YALI P C 03 050 21 400 05 1
-	YALI P C 03 110 11 230 08 1
-	YALI P C 03 110 11 400 08 1
-	YALI P C 03 080 21 230 08 1
-	YALI P C 03 080 21 400 08 1
-	YALI P C 03 150 11 230 10 1
-	YALI P C 03 150 11 400 10 1
-	YALI P C 03 100 21 230 10 1
-	YALI P C 03 100 21 400 10 1
-	YALI P C 03 130 21 230 13 1
-	YALI P C 03 130 21 400 13 1
-	YALI P C 03 160 21 230 15 1
-	YALI P C 03 160 21 400 15 1
-	YALI P C 03 200 21 230 20 1
-	YALI P C 03 200 21 400 20 1
YAL F 05 06 230 05 1	YALI P C 05 055 11 230 05 1
YAL F 05 06 400 05 1	YALI P C 05 055 11 400 05 1
-	YALI P C 05 040 21 230 05 1
-	YALI P C 05 040 21 400 05 1
YAL F 05 10 230 08 1	YALI P C 05 080 11 230 08 1
YAL F 05 10 400 08 1	YALI P C 05 080 11 400 08 1
-	YALI P C 05 050 21 230 08 1
-	YALI P C 05 050 21 400 08 1
YAL F 05 12 230 10 1	YALI P C 05 105 11 230 10 1
YAL F 05 12 400 10 1	YALI P C 05 105 11 400 10 1
-	YALI P C 05 065 21 230 10 1
-	YALI P C 05 065 21 400 10 1
YAL F 05 14 230 12 1	YALI P C 05 130 11 230 13 1
YAL F 05 14 400 12 1	YALI P C 05 130 11 400 13 1
-	YALI P C 05 080 21 230 13 1
-	YALI P C 05 080 21 400 13 1
-	YALI P C 05 095 21 230 15 1
-	YALI P C 05 095 21 400 15 1
-	YALI P C 05 125 21 230 20 1
-	YALI P C 05 125 21 400 20 1

Old designation	New designation
YALI PF	YALI RAMO
-	YALI R C 03 040 11 230 03 1
-	YALI R C 03 040 11 400 03 1
-	YALI R C 03 080 11 230 05 1
-	YALI R C 03 080 11 400 05 1
-	YALI R C 03 050 21 230 05 1
-	YALI R C 03 050 21 400 05 1
-	YALI R C 03 110 11 230 08 1
-	YALI R C 03 110 11 400 08 1
-	YALI R C 03 080 21 230 08 1
-	YALI R C 03 080 21 400 08 1
-	YALI R C 03 150 11 230 10 1
-	YALI R C 03 150 11 400 10 1
-	YALI R C 03 100 21 230 10 1
-	YALI R C 03 100 21 400 10 1
-	YALI R C 03 130 21 230 13 1
-	YALI R C 03 130 21 400 13 1
-	YALI R C 03 160 21 230 15 1
-	YALI R C 03 160 21 400 15 1
-	YALI R C 03 200 21 230 20 1
-	YALI R C 03 200 21 400 20 1
YAL PF 05 06 230 05 1	YALI R C 05 055 11 230 05 1
YAL PF 05 06 400 05 1	YALI R C 05 055 11 400 05 1
-	YALI R C 05 040 21 230 05 1
-	YALI R C 05 040 21 400 05 1
YAL PF 05 10 230 08 1	YALI R C 05 080 11 230 08 1
YAL PF 05 10 400 08 1	YALI R C 05 080 11 400 08 1
-	YALI R C 05 050 21 230 08 1
-	YALI R C 05 050 21 400 08 1
YAL PF 05 12 230 10 1	YALI R C 05 105 11 230 10 1
YAL PF 05 12 400 10 1	YALI R C 05 105 11 400 10 1
-	YALI R C 05 065 21 230 10 1
-	YALI R C 05 065 21 400 10 1
YAL PF 05 14 230 12 1	YALI R C 05 130 11 230 13 1
YAL PF 05 14 400 12 1	YALI R C 05 130 11 400 13 1
-	YALI R C 05 080 21 230 13 1
-	YALI R C 05 080 21 400 13 1
-	YALI R C 05 095 21 230 15 1
-	YALI R C 05 095 21 400 15 1
-	YALI R C 05 125 21 230 20 1
-	YALI R C 05 125 21 400 20 1

OUR COMMITMENT TO YOU

WHAT ABOUT THE WATTS?

An average house in a Nordic climate with standard insulation and ceiling heights between 2.40-2.50 m requires around 70-75 W per square metre of floor area. To calculate the required heating power for other ceiling heights, base the wattage on 30 W per cubic metre of volume. In some cases it can be an advantage to have a gross power need of 100W/m² for underfloor heating. This calculation is based on houses in the Nordic climate and can also vary according to the standard of the house. For more information about the power requirements for houses in other climatic regions, contact your local electrical contractor or energy advisory service.

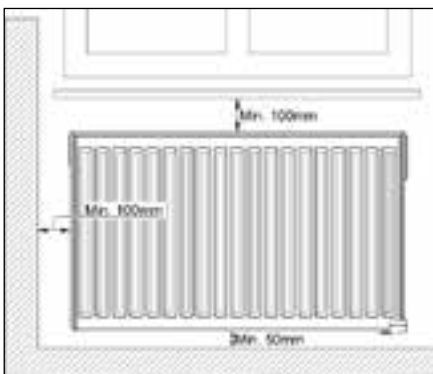
You may also visit our website for further technical information – www.lvi.eu.

SAFETY

All our radiators meet compulsory CE standards as well as the specific requirements of countries where they are sold. They operate on low surface temperatures and produce no hot spots. Some LVI radiators have a built-in limited surface temperature of 60°C. On others, the setting can simply be adjusted. Most thermostat controls also have lockable covers to prevent small, adventurous fingers from interfering with the setting.

HEALTH

As we spend quite a lot of our lives indoors, it's important for our wellbeing that our internal environment offers a healthy level of heating comfort. LVI radiators reduce dust circulation, preventing the unpleasant odour of burning dust, which makes them ideal for those who suffer from allergies. And, unlike open radiators that heat the air by circulating air through hot elements, our oil-filled radiators heat air evenly using a completely closed construction. They produce a gentle, comfortable heat that doesn't dry the air or skin, or irritate your eyes and they operate at a very low surface temperature. LVI oil-filled radiators are a safe, quiet, odourless and healthy alternative to open radiators and completely fan-blown heating systems.



HEATING AND THE ENVIRONMENT

LVI is committed to producing environmentally friendly radiators, and this commitment shows right through every product's life cycle.

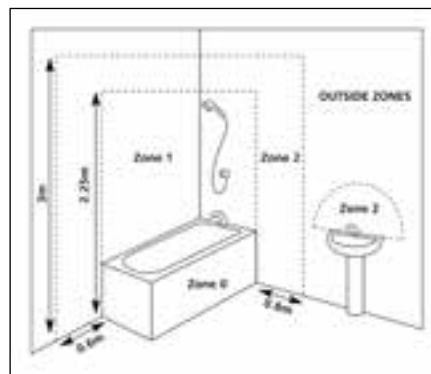
We use recyclable materials in our production processes wherever possible. Most of our radiators are filled with biodegradable vegetable oil, rather than fossil fuels. And because our radiators are electric, they can be powered by alternative green energy sources like solar, wind and geothermal.

Through of our concern for the environment we are committed to producing radiators that reduce energy consumption and your heating bills. That is why many of our radiators have inbuilt, state of the art thermostats for precise temperature control, giving you exactly the heat you need with no waste. For instance, if the sun comes out and begins to warm the room, the thermostat will switch off until the room's temperature drops below your chosen setting.

To further reduce your heating bills, it is possible to program our radiators to adjust their temperature by a given amount at specific times of the day or, through a central control device, to adjust them to a desired temperature whenever you choose.

Similarly, if you're away from home, modern technology makes it possible to control the temperature setting through mobile telephones and the internet. A number of our radiators are compatible with this technology. Purchasing the device allows you, from a distance, to switch from a reduced heating program to your normal temperature so that the house warms up in time for your arrival. Perfect for your holiday house! Some of the LVI radiators supporting this technology also enable control of each room.

And our commitment to the environment is evident even when our radiators reach the end of their service, as most parts can be recycled, reducing landfill and raw material use.



GENERAL INFORMATION

RESERVATIONS

Rettig Sweden AB is consistently striving to improve its products, and therefore reserves the right to modify products without warning. We also make reservation for any printing errors.

This catalogue invalidates and supersedes all previously applicable versions. The colours in this catalogue may not match the actual products.

SHORT CODES

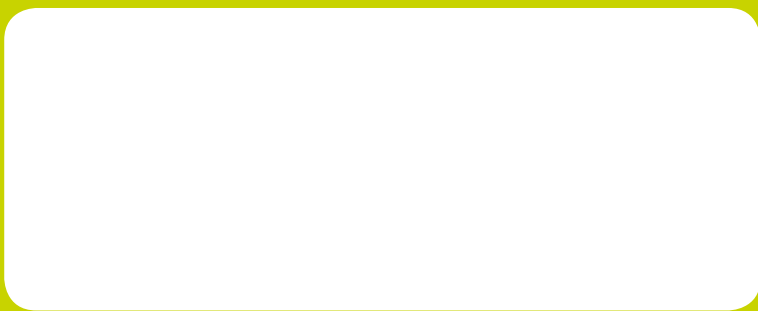
EXAMPLE: YALI D P 05 125 21 230 20 1

		YALI D P 05 125 21 230 20 1
Product name:	Yali	↑
Shortening:	YALI – Four letters of the product name	↑
Variant:	D	↑
Connection type:	P P = plug	↑
Height:	05 ≈ 0,5 m	↑
Length/Width:	125 ≈ 1,25 m	↑
Radiator body:	21 To be stated for double paneled radiators	↑
Voltage:	230 V	↑
Output in W:	20 ≈ 2,0 kW	↑
Thermostat:	To be stated if other than nordic	↑
Insulation class:	1 (1 = grounded, 2 = double insulated)	↑
Colour:	Not mentioned for white radiators	↑

SPECIAL COLOURS FOR LANGILA AND SANBE (ADDITIONAL PRICE +20%)

 Black Textured (9305)	 Creme White (1413)	 Anodic Natura (0120)
 White Textured (9316)	 Anodic Bronze (0320)	 Metal Alu (0201)
 Light Grey (9406)	 Anodic Brown (0420)	 Metal Grey (0102)
 Brown Grey (9407)	 Anodic Black (0720)	 Metal Black (0104)

The colours may not match the actual products.



Rettig Sweden AB is consistently striving to improve its products, and therefore reserves the right to modify products without warning. This catalogue invalidates and supersedes all previously applicable versions. The colours may not match the actual products. You may also visit our website for further technical information and our latest news – www.lvi.eu.

RETTIG SWEDEN AB

SE-531 75 Järpås
Tel: 0510-48 13 00. Fax: 0510-913 16
info@lviprodukter.se | www.lvi.eu

